

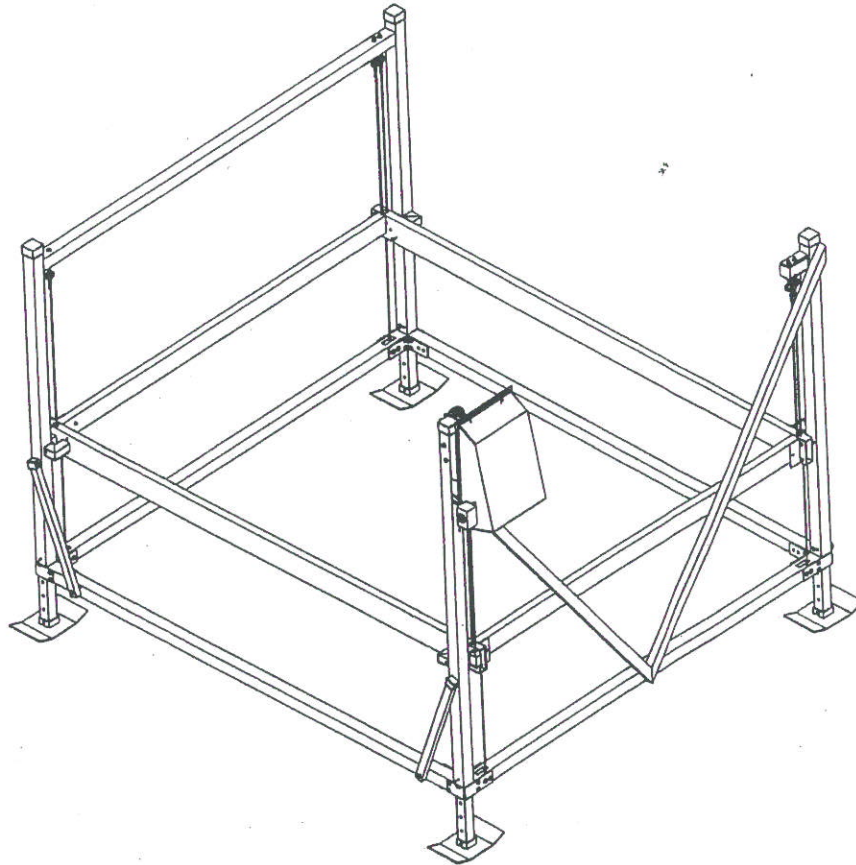
# SHOREMASTER VERTICAL LIFT

- OWNER AND OPERATORS MANUAL -

**Model 701066** and 701068

**With 220v EPU**

Weight Capacity 7,000 pounds - Inside lift width 120" (10 ft)  
701066 Lift has straight front and rear beams!



Vertical Lift

Manufactured by ShoreMaster Inc.

Revision No. (3) 12-10-97

ShoreMaster Inc.

1 ShoreMaster Drive - PO Box 358

Fergus Falls, MN 56538-0358

1-800-328-8945

☐ E-MAIL - [quality1@shoremaster.com](mailto:quality1@shoremaster.com)

# TABLE OF CONTENTS

<u>PAGE</u>	<u>SECTION</u>
3	Introduction
3	Warnings and Safety
4-5	Parts List 701066 Lift
6-13	Assembly 701066 Lift
14-15	Installation
16-18	Operation -Loading, Raising, Lowering
19	Removal and Storage
20	Service
21	Cable Routing Drawing
22	Electric Power Unit Safety & Warnings