

4000/5000 Winch Attachment

Part #: 500017123

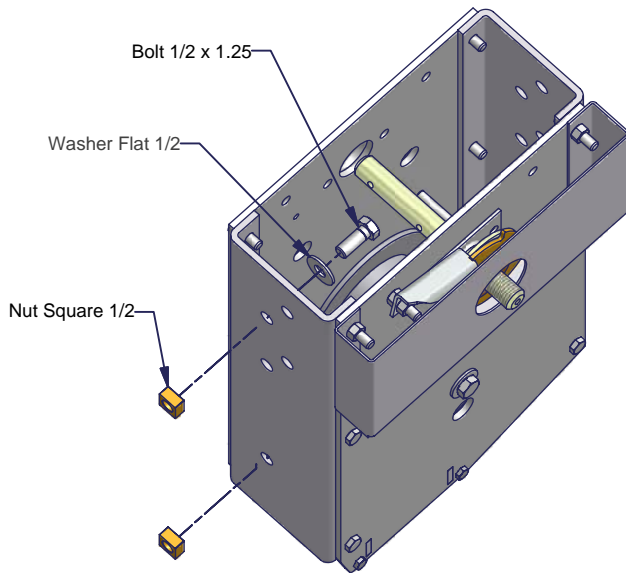
QTY	PART NUMBER	DESCRIPTION
2	B120SQNUT	Nut Square 1/2
2	MS120114B	Bolt 1/2 X 1.25
2	S120WASHR	Washer Flat 1/2

STEP 1

Remove Winch cover by unscrewing three screws.

STEP 2

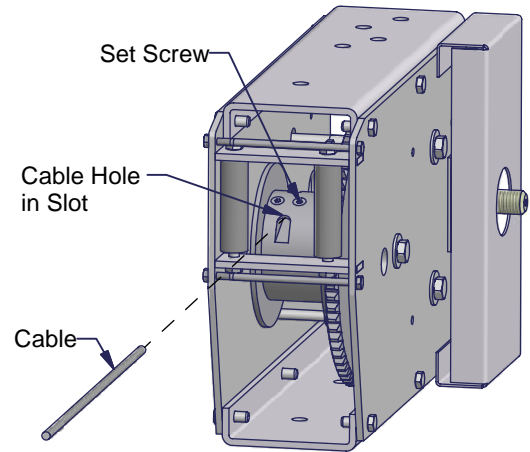
Facing the front of the Winch, the attachment bolts are added on the left side as shown. Insert one Bolt 1/2 x 1 1/4 from inside the winch, in the top and bottom holes of the winch side. Thread the Nut Square 1/2 just enough so that it does not fall off.



STEP 4

Slide end of cable into slotted opening on winch hub. Using a 5/32" Allen Wrench, tighten winch hub set screw to secure cable to winch hub.

NOTE: Cable must run between Rollers and enter at slotted end of opening through hub as shown. Slide cable fully into hub opening. However do not go so far that the cable sticks out the other side of hole. This would interfere with proper cable wrapping.



STEP 5

Set cover on winch and secure with the three screws that were removed in Step 1.

STEP 3

Insert the square nuts into the Mounting Slots of Winch Mount (as shown), and tighten bolts on inside of winch.

