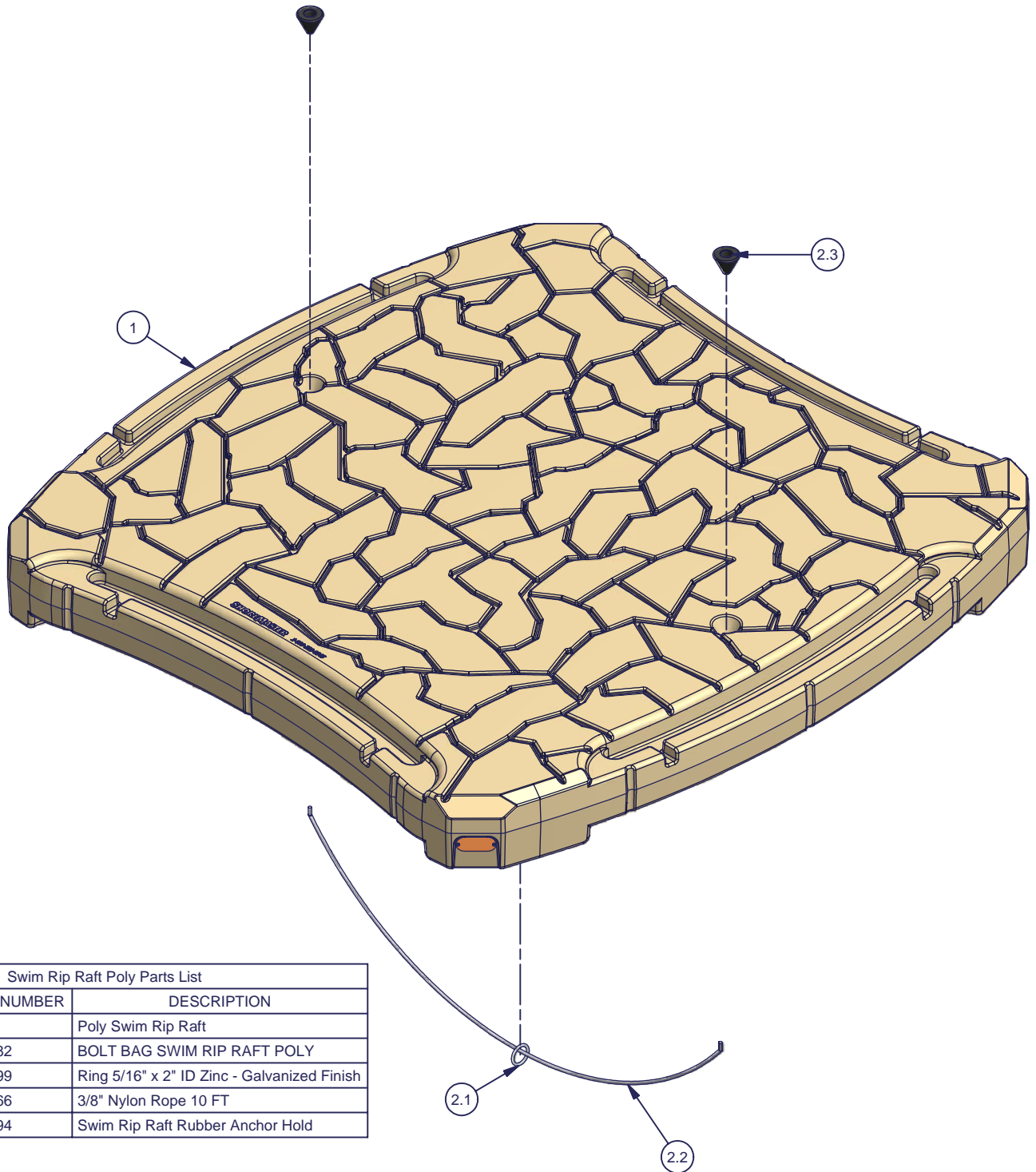


Part # 1006788, 1006786,  
 1006789, 1006787  
 Swim Rip Raft Poly Tan / Gray /  
 Yellow / Orange



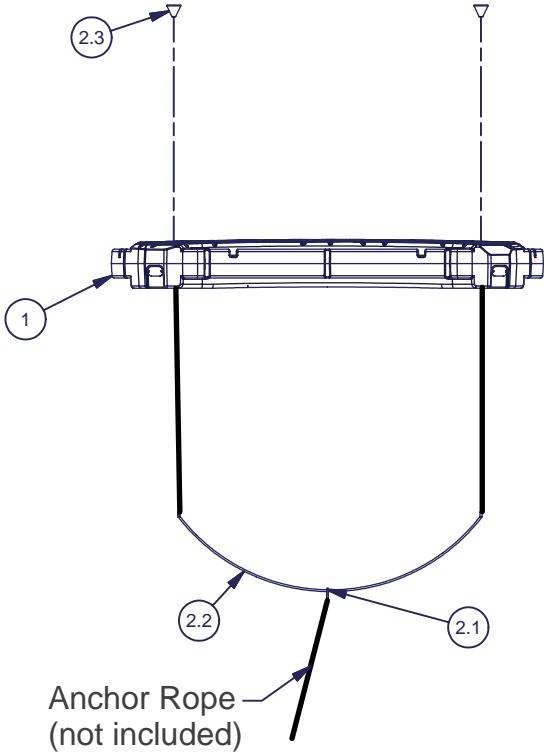
Swim Rip Raft Poly Parts List			
ITEM	QTY	PART NUMBER	DESCRIPTION
1	1	--	Poly Swim Rip Raft
2	1	1004582	BOLT BAG SWIM RIP RAFT POLY
2.1	1	1002299	Ring 5/16" x 2" ID Zinc - Galvanized Finish
2.2	1	1002466	3/8" Nylon Rope 10 FT
2.3	2	1001094	Swim Rip Raft Rubber Anchor Hold

**CAUTION:** Never jump or dive into the water before the entire subsurface area has been checked for depth. Consult local authorities for ordinances regarding proper placement and anchoring of swim raft. Manufacturer recommends removing swim raft from water when not in use.  
**ALWAYS PUT SAFETY FIRST!**

Part # 1006788, 1006786,  
1006789, 1006787  
Swim Rip Raft Poly Tan / Gray /  
Yellow / Orange



**CAUTION:** The swim raft should not be towed behind a boat or pulled onto shore using the anchor rope. If the raft is exposed to heavy or continuous wave action, a spring or bungee cord should be added to the anchoring line to help absorb the shocks.



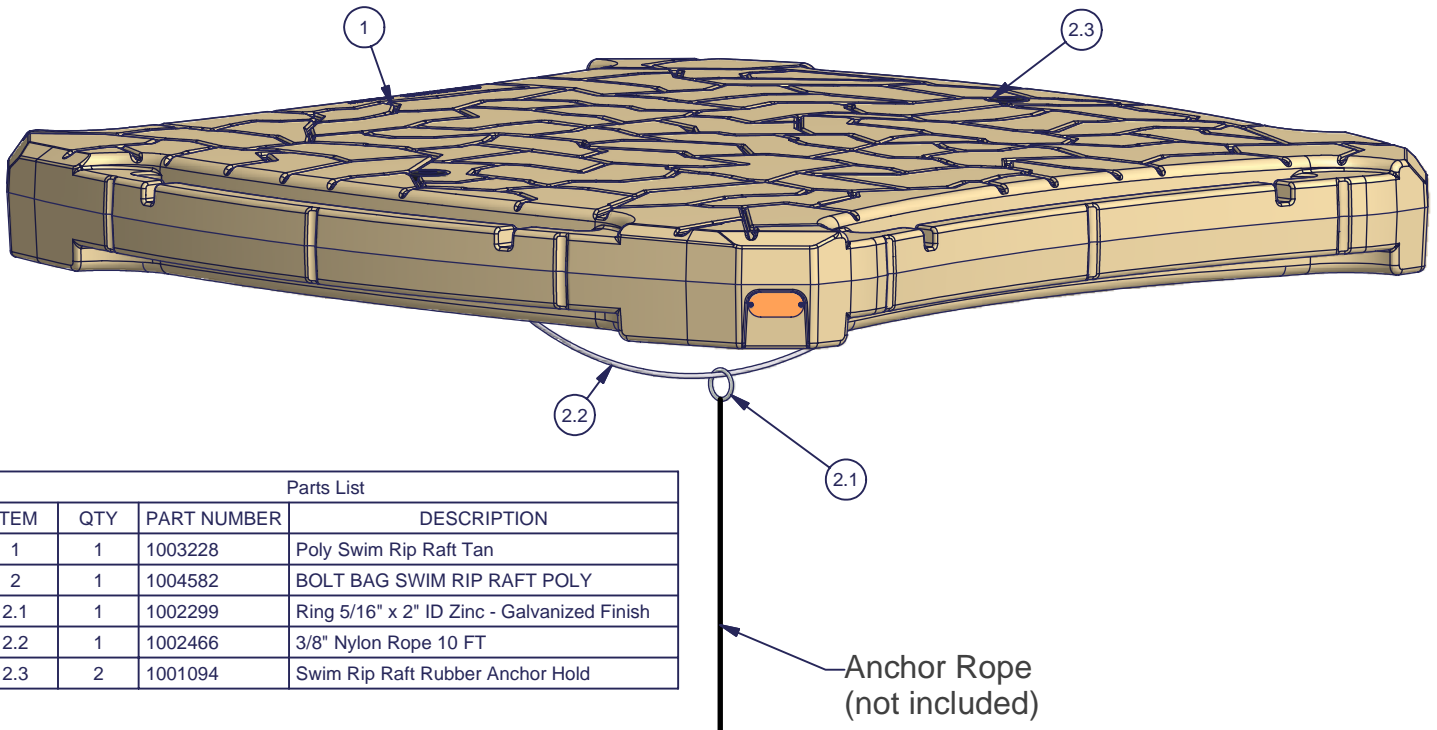
**Assembly:**

**Step 1:** Insert 10' rope (item 2.2) through through-hole in swim raft from the bottom. Slide rope through cone end of rubber anchor hold (item 2.3) and tie a double knot so rope can not be pulled back through rubber anchor hold.

**Step 2:** Insert rope through galvanized ring (item 2.1).

**Step 3:** Insert rope (item 2.2) through other through hole on the other side of the raft and through the other rubber anchor hold (item 2.3) and tie another double knot.

**Step 4:** Position raft in desired location and attach anchor rope.



Parts List			
ITEM	QTY	PART NUMBER	DESCRIPTION
1	1	1003228	Poly Swim Rip Raft Tan
2	1	1004582	BOLT BAG SWIM RIP RAFT POLY
2.1	1	1002299	Ring 5/16" x 2" ID Zinc - Galvanized Finish
2.2	1	1002466	3/8" Nylon Rope 10 FT
2.3	2	1001094	Swim Rip Raft Rubber Anchor Hold