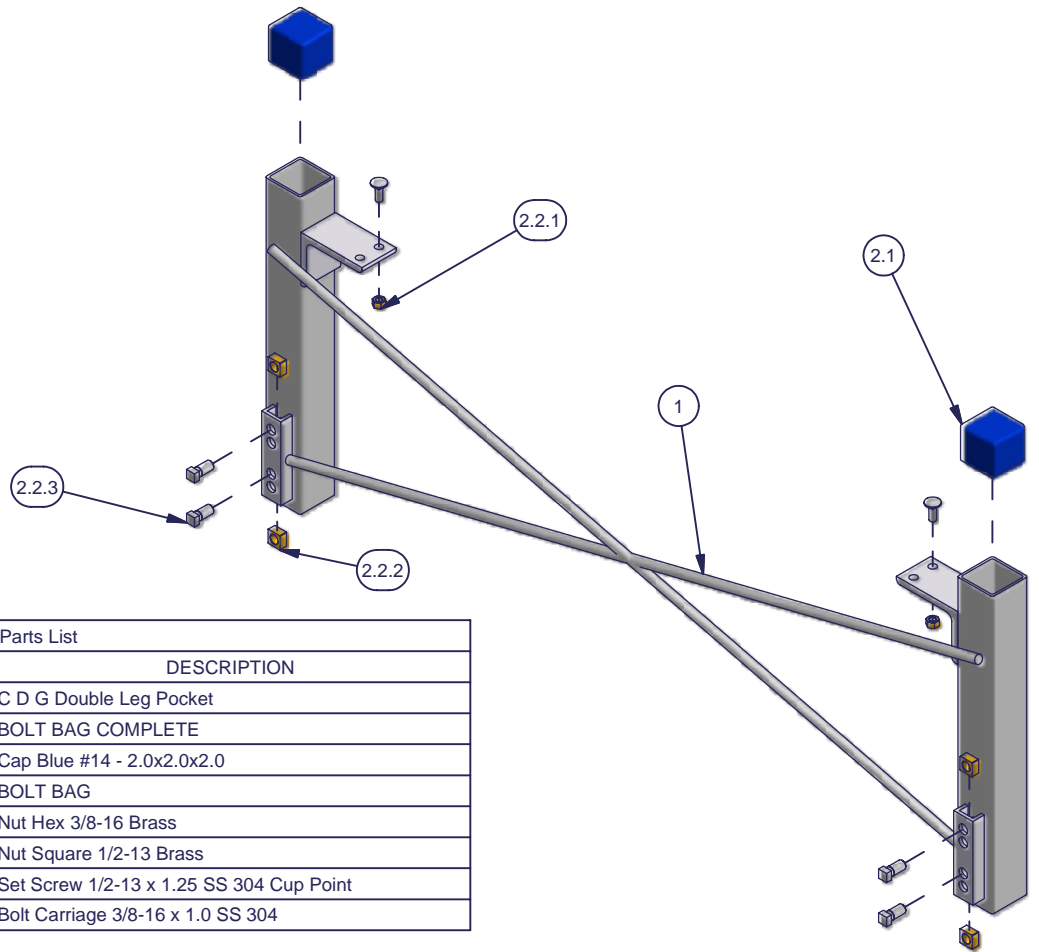
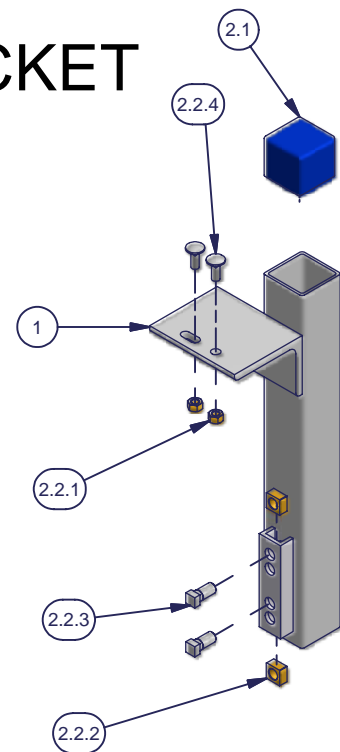


CURVE DOCK DOUBLE LEG POCKET



Parts List			
ITEM	QTY	PART NUMBER	DESCRIPTION
1	1	1004237	C D G Double Leg Pocket
2	1	1006534	BOLT BAG COMPLETE
2.1	2	1001815	Cap Blue #14 - 2.0x2.0x2.0
2.2	1	1002508	BOLT BAG
2.2.1	2	1001803	Nut Hex 3/8-16 Brass
2.2.2	4	1001793	Nut Square 1/2-13 Brass
2.2.3	4	1002563	Set Screw 1/2-13 x 1.25 SS 304 Cup Point
2.2.6	2	1001956	Bolt Carriage 3/8-16 x 1.0 SS 304

CURVE DOCK SINGLE LEG POCKET



Parts List			
ITEM	QTY	PART NUMBER	DESCRIPTION
1	1	1003760	C-D Single Leg Pocket
2	1	1006539	BOLT BAG C-D SINGLE LEG POCKET
2.1	1	1001815	Cap Blue #14 - 2.0x2.0x2.0
2.2	1	1007619	BOLT BAG C-D SINGLE LEG POCKET
2.2.1	2	1001803	Nut Hex 3/8-16 Brass
2.2.2	2	1001793	Nut Square 1/2-13 Brass
2.2.3	2	1002563	Set Screw 1/2-13 x 1.25 SS 304 Cup Point
2.2.4	2	1001956	Bolt Carriage 3/8-16 x 1.0 SS 304