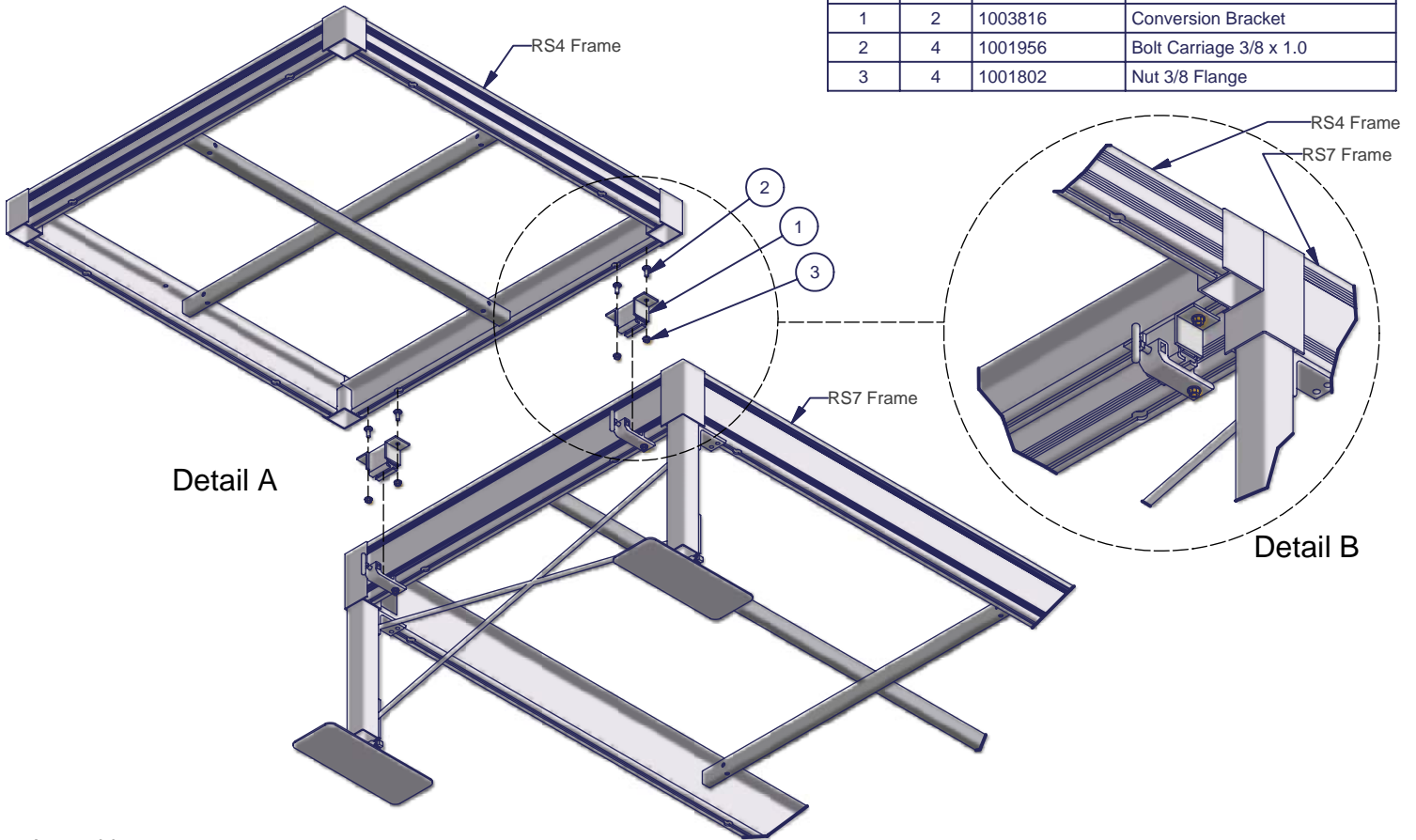


RS4 to RS7 Conversion Kit

Part Number - 1006710

Parts List			
ITEM	QTY	PART NUMBER	DESCRIPTION
1	2	1003816	Conversion Bracket
2	4	1001956	Bolt Carriage 3/8 x 1.0
3	4	1001802	Nut 3/8 Flange



Assembly:

Attach one Conversion Bracket to the RS4 Frame and secure with two Bolts 3/8 Carriage and two Nuts 3/8 Flange - as shown in Detail A. The number of Conversion Brackets needed will vary by the type of connection.

Attach the Conversion Bracket to the Connector Clip on the RS7 Frame and tighten the T-Handle to secure - as shown in Detail B.

CAUTION

The RS7 Frame has to be supported with legs and the Connector Clip has to be bolted to it - as shown below.

Never bolt the Connector Clip to the Conversion Bracket. Always use the T-Handle side to secure the Conversion Bracket to the Connector Clip - as shown below.

