

RS7 & TS9 Connection Bolt Bag Part #: 1004429

Connects one RS7 frame to another RS7 frame, or one TS9 frame to another TS9 frame.

One Bolt Bag is included with each frame.

Parts List			
ITEM	QTY	PART NUMBER	DESCRIPTION
1	4	1000875	Corner Pocket Cap
2	1	1000876	T Handle 2.5 - 3/8 x 1.25
3	2	1004652	Connector Clip Large
4	8	1001802	Nut 3/8 Flange
5	4	1001803	Nut 3/8
6	8	1001956	Bolt Carriage 3/8 x 1.0
7	4	1002425	Bolt Hex 3/8 x 2.0 Full Thread

Your safety is the most important issue related to this product.

- Wear protective gloves, clothing and eyewear when assembling and installing the dock.
- Do not assemble, install or use this product if items are missing or damaged.

For ease of assembly find a flat area with plenty of room to assemble dock. Before assembly, determine the layout of the dock system. Take depth measurements where the legs will be standing, starting where the dock will start. Make sure you have adequate dock leg lengths to accommodate water fluctuation.

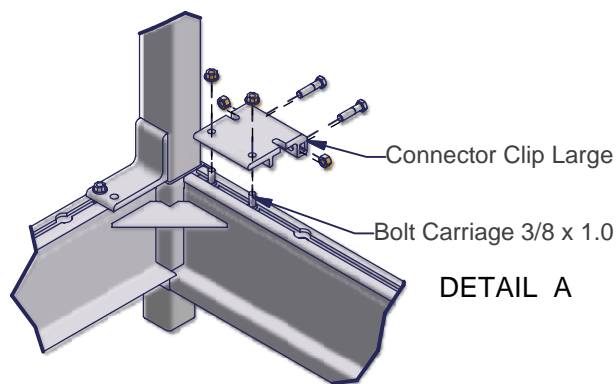
Note: To ensure the correct quantity of hardware in the right places, the dock frames should be assembled at the same time as the leg kits and "L" bracing. If it is not, you may have to disconnect some components to add hardware.

Note: Before attaching any parts together lay the dock frame upside down (to access the bottom) and slide all the Bolts Carriage 3/8 in the "T" Slot that are necessary for all the components that will be used (connector clips, support brackets, etc.).

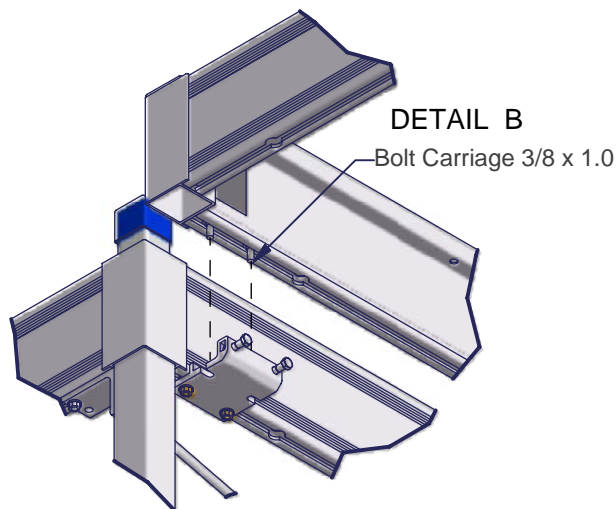
Permanent Connection Assembly:

This connection is used when two sections of dock will not be disconnected at the end of a season. Attach two Connector Clips Large to the end or side of a Frame. Secure each Clip with two Bolts Carriage 3/8 x 1 and two Nuts Flange 3/8. The Connector Clips Large should be as close to the Corner Pockets as possible - as shown in Detail "A."

Insert one Nut 3/8 in to each side of the Connector Clip Large and thread a Bolt 3/8 x 2.0 Full Thread into it just enough so the two stay together.

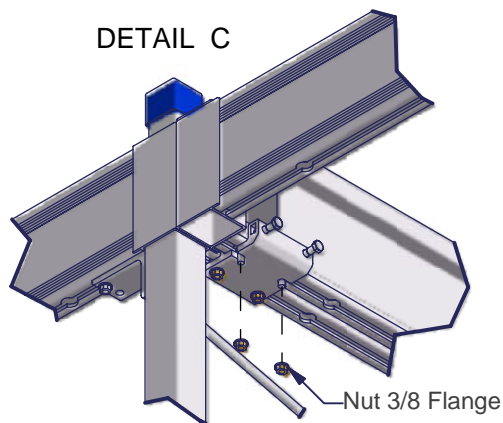


DETAIL A



Slide two Bolts Carriage 3/8 x 1.0 into the corners of the next frame - as shown in Detail "B."

Set the next frame into the Connector Clips Large with one Carriage Bolt 3/8 x 1.0 on each side of both Connector Clips Large. Tighten the Bolts 3/8 x 2.0 until the two frames are clamped together so that the each Carriage Bolt 3/8 x 1.0 will slide into the slot of the Connector Clips Large. Secure the Connector Clips Large with two Nuts 3/8 Flange - as shown in Detail "C."



Seasonal Connection Assembly:

Connect dock frames the same as above, do not clamp the two frames together with two Bolts 3/8 x 2.0 Full Thread and two Nuts 3/8 and securing with two Bolts Carriage 3/8 x 1.0 and two Nuts Flange on each Connector Clip Large - as shown above. Instead clamp the Dock Frames together with one T Handle 2.5 - 3/8 x 1.25 and one Nut 3/8 one each Dock Connector 4.5. Use either hole one the Connector Clip Large to clamp the Dock Frames.

Parallel L Connection:

Attach a parallel frame with one Connector Clip Large as close to the corner of the frame as possible. Secure the Connector Clip Large to the frames as shown on previous page.

Single 'L':

On a RS7 single 'L' connection use four total Connector Clips Large.

On a TS9 Single 'L' connection use two total Connector Clips Large (one in each corner) and a Single 'L' Support Brace.

Note: The Single 'L' Support Brace is an option on the RS7 but is not needed.

Double & Triple 'L':

All Double and Triple 'L' connections require a Support Brace Kit and two Connector Clips Large on each frame (one in each corner).