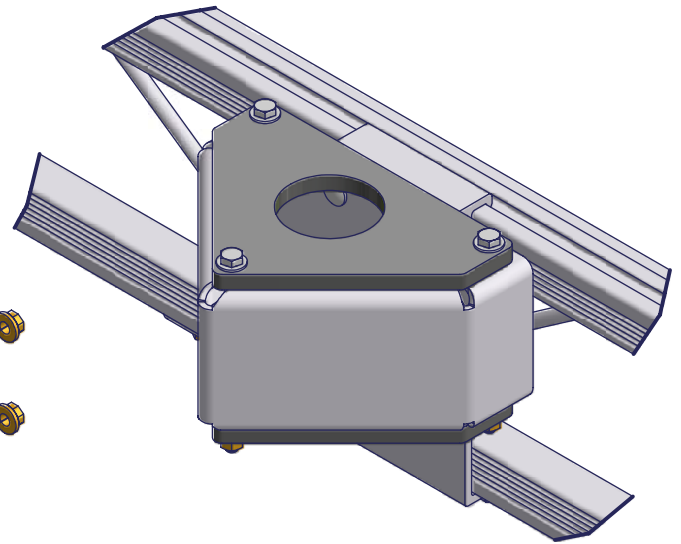
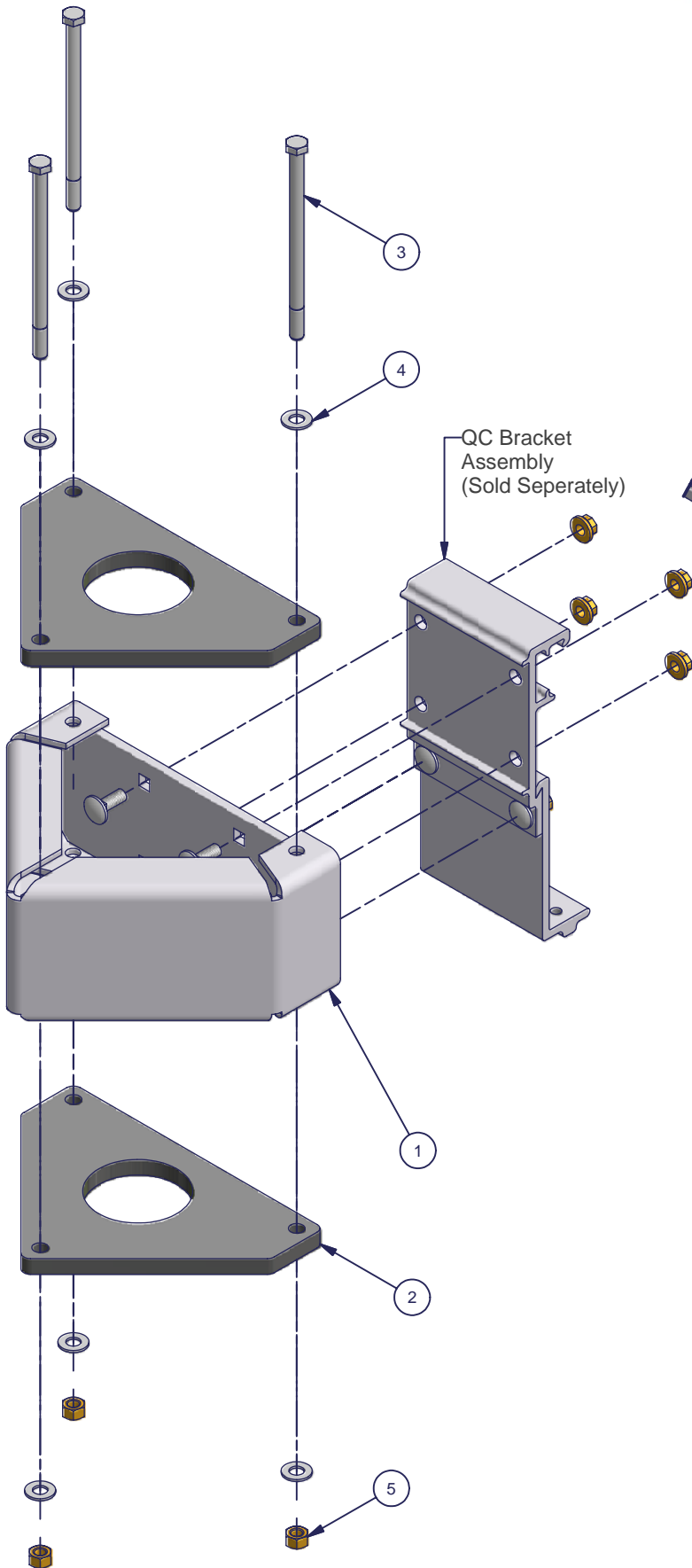


FTS9 QC Pipe Guide

Part #: 1006675



Parts List			
ITEM	QTY	PART NUMBER	DESCRIPTION
1	1	1000942	Pipe Bracket
2	2	1000943	Wear Plate
3	3	1002446	Bolt 3/8 x 6.0
4	6	1002599	Washer Flat 3/8
5	3	1001805	Nut 3/8 Nyloc



Assembly:

Assemble the QC Bracket Assembly and attach the Pipe Bracket as instructed in the TS9 Quick-Connect Accessory Connector Instructions.

Attach two Wear Plates to the Pipe Bracket. Secure with three Bolts 3/8 x 6.0, six Washers Flat 3/8 and three Nuts 3/8 Nyloc - as shown.

Attach the QC Pipe Bracket to the FTS9 Frame as instructed in the TS9 Quick-Connect Accessory Connector Instructions. Secure with three Bolts 3/8 x 1.25 - as shown.