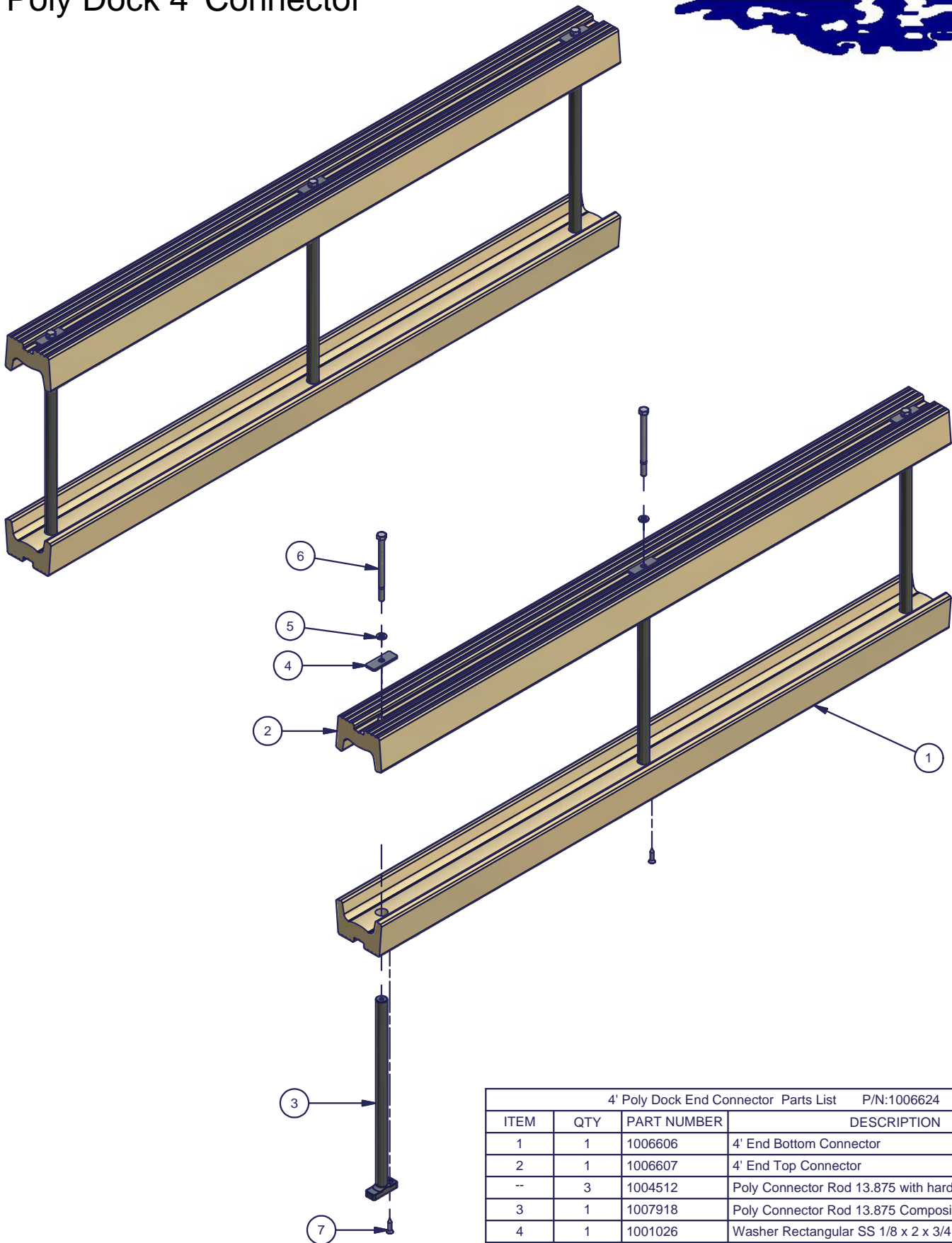


Part # 1006624  
Poly Dock 4' Connector



4' Poly Dock End Connector Parts List P/N:1006624			
ITEM	QTY	PART NUMBER	DESCRIPTION
1	1	1006606	4' End Bottom Connector
2	1	1006607	4' End Top Connector
--	3	1004512	Poly Connector Rod 13.875 with hardware (composite)
3	1	1007918	Poly Connector Rod 13.875 Composite
4	1	1001026	Washer Rectangular SS 1/8 x 2 x 3/4
5	1	1002606	Washer Lock 5/16 SS
6	1	1001025	Bolt Hex 5/16-18 x 4.5 Full Thread SS 304
7	1	1002566	Screw Oval #12 x 1.0 SS