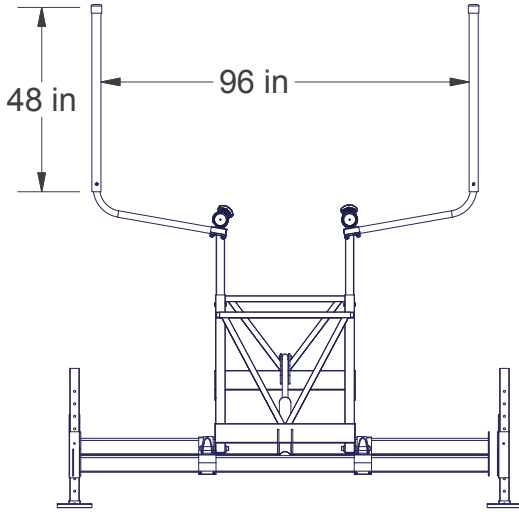
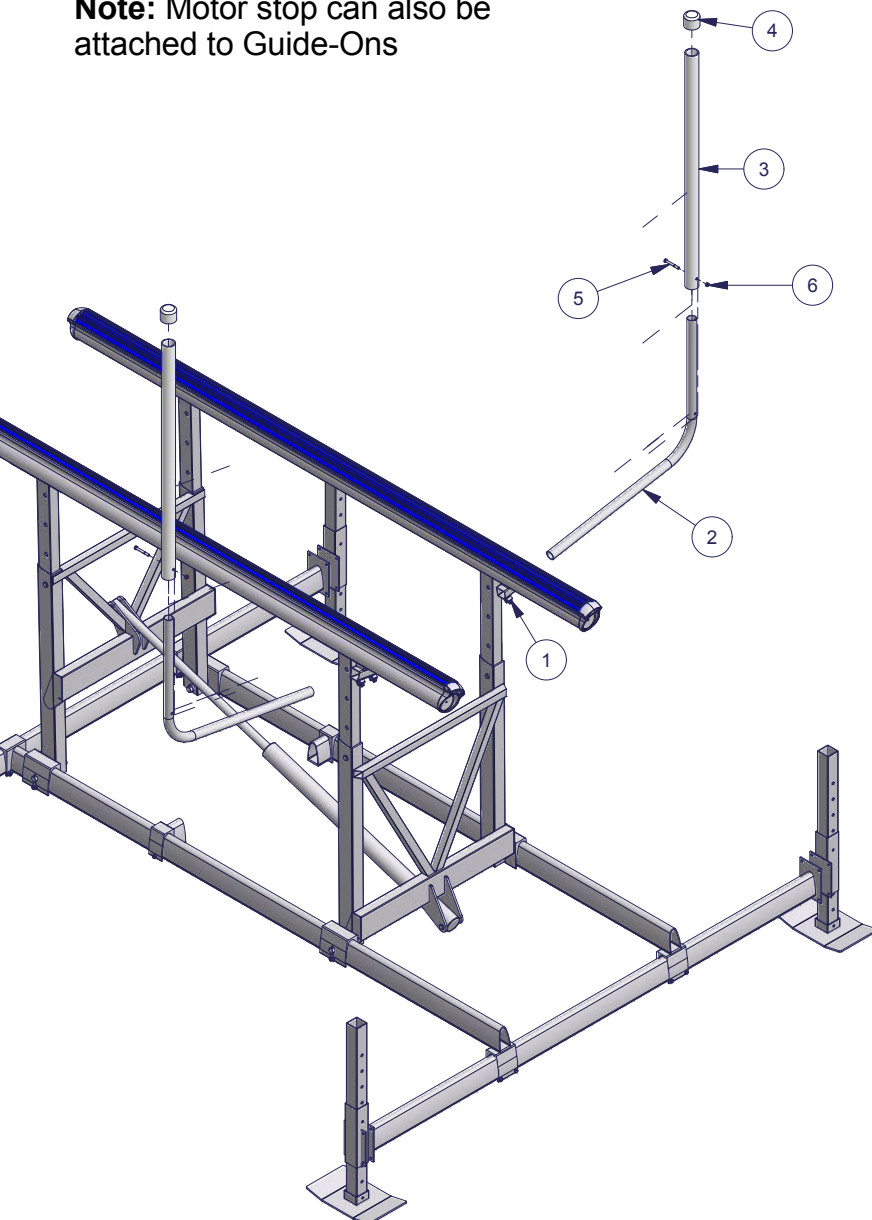
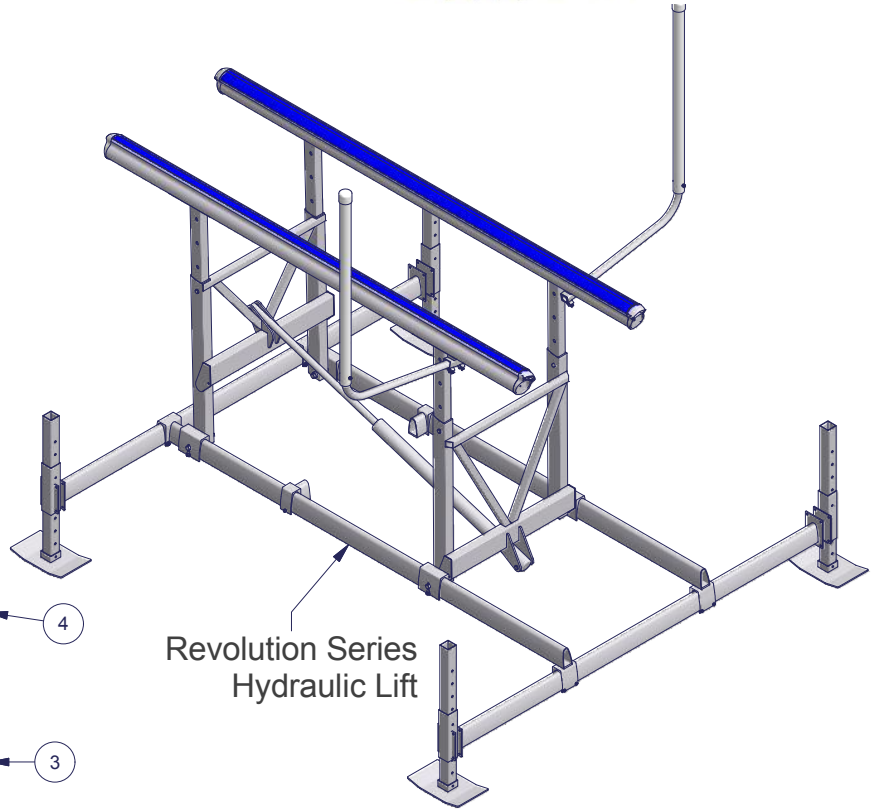


Part # 1017848  
 Accessory - Guide-Ons Revolution  
 Hydraulic Lift



**Note:** Motor stop can also be attached to Guide-Ons



Step 1: Attach accessory mounting brackets to lift (sold separate).

Step 2: Slide Prt tube 60.1875 - Revolution Hydraulic Lift Guide-Ons Bent into accessory mounting brackets.

Step 3: Position Prt tube 60.1875 - Revolution Hydraulic Lift Guide-Ons bent to desired width and secure in place by tightening 3/8 x 1-1/4" hex bolts on accessory mounting brackets.

Step 4: Slide PVC Pipe 2" Sch 40 x 48 white over Prt tube 60.1875 - Revolution Hydraulic Lift Guide-Ons bent tubes and secure in place with 3/8 x 3 hex bolt and nylock nut.

Step 5: Place PVC caps on PVC pipe.

| Parts List |     |             |                                                                              |
|------------|-----|-------------|------------------------------------------------------------------------------|
| ITEM       | QTY | PART NUMBER | DESCRIPTION                                                                  |
| 1          | 1   | 1017838     | Accessory Mounting Brackets (Pair) Revolution Hydraulic Lift (Sold Separate) |
| 2          | 2   | 1017835     | Prt Tube 60.1875 - Revolution Hydraulic Lift Guide-On Bent                   |
| 3          | 2   | 1003439     | PVC Pipe 2 In SCH 40 x 48 White                                              |
| --         | 1   | 1017847     | Bolt Bag - Guide-Ons Revolution Hydraulic Lift                               |
| 4          | 2   | 1000113     | Mh Cap 2.0 PVC White                                                         |
| 5          | 2   | 1002432     | Bolt Hex 3/8-16 x 3.0 SS 304                                                 |
| 6          | 2   | 1001805     | Nut Nyloc 3/8-16 Brass                                                       |