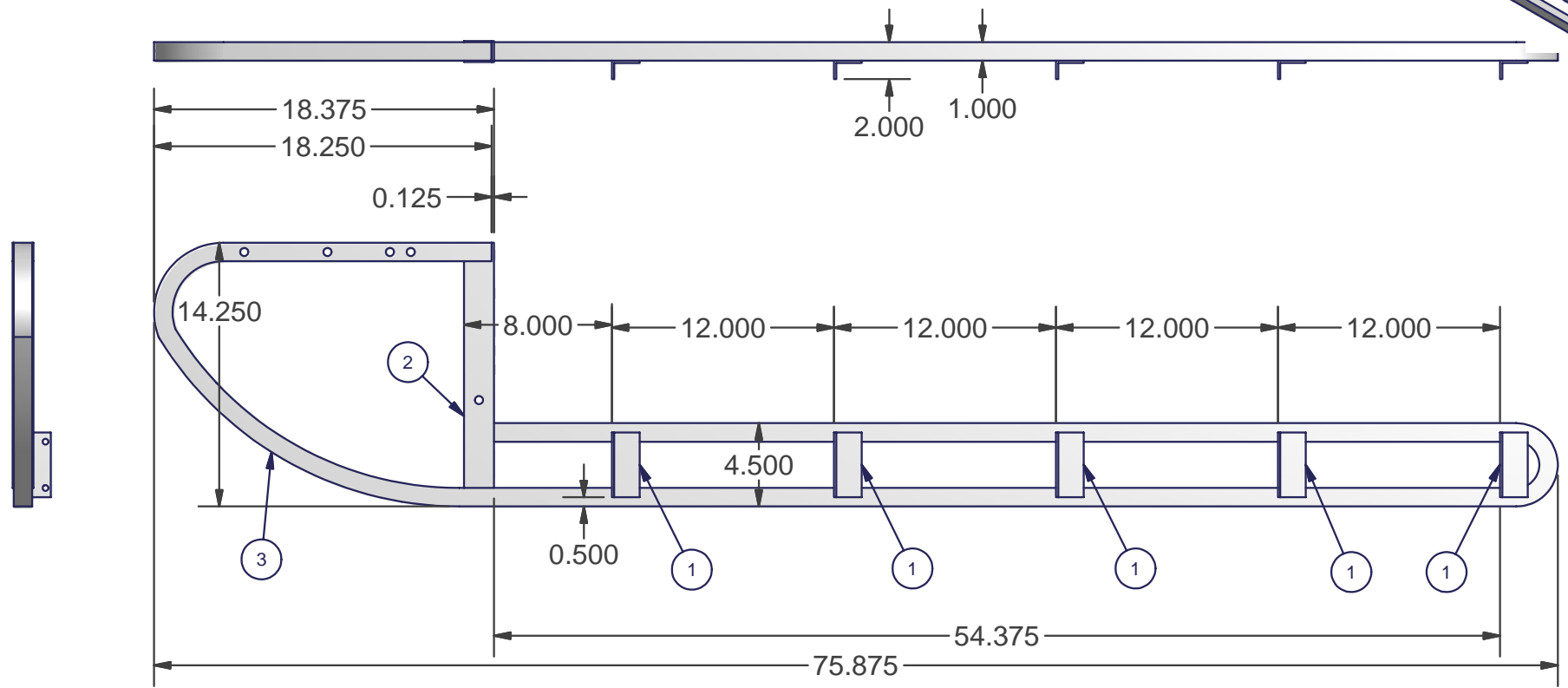
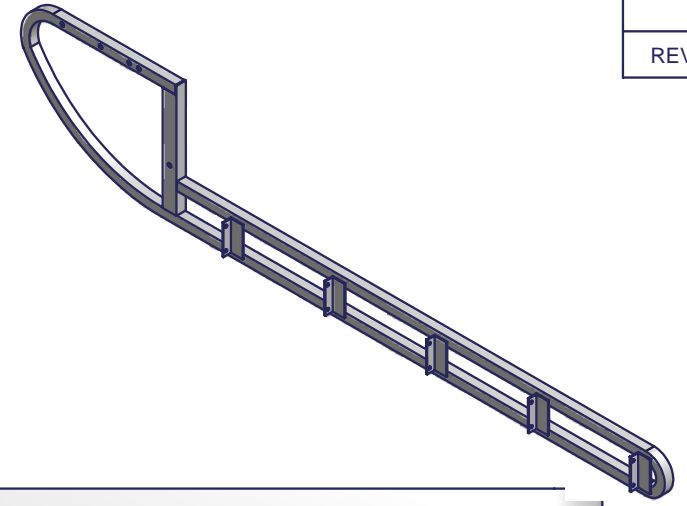


Parts List						
ITEM	QTY	PART NUMBER	DESCRIPTION	COMP #	DIMENSIONS	LENGTH
1	5	1003889	Step Angle	299	ANGLE 1 X 1.50 X .13	3.5
2	1	1005077	Ladder Cross Piece	771	TUBE 1.13 X 1.63 X .13	13.25
3	1	1000605	LADDER FRAME 5 STEPS	502 S	TUBE 1 X 1 X .06 SOFT	157.50

REV.  
CONFIDENTIAL



Sheet: 1

SCALE: 1/9  
 QTY. PER ASSY: 1  
 TOL: .030  
 MAT'L: ALUM 6005 T5

BREAK ALL SHARP EDGES

ALUMINUM BOAT LIFTS, DOCKS AND ACCESSORIES  
**SHOREMASTER**  
 BY SHOREMASTER ENGINEERING  
 P.O. BOX 358  
 FERGUS FALLS, MN 56538-0358  
 1-800-328-8945

PART NAME: 5 STEP LADDER FRAME LEFT			
DRAWN BY: MIKE		DATE 9/27/2006	
PART NUMBER: 1005630		REFERENCE:	
DWG : 5 Step Ladder Side L.idw			
REV	DESCRIPTION	APPR'D	DATE
--	PRODUCTION RELEASE		
ECO #			