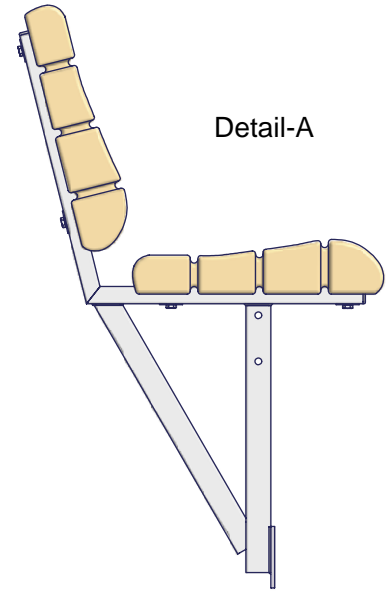


Phone: 218-739-4641  
 Fax: 218-739-4008  
 www.shoremaster.com



Part # 1013091

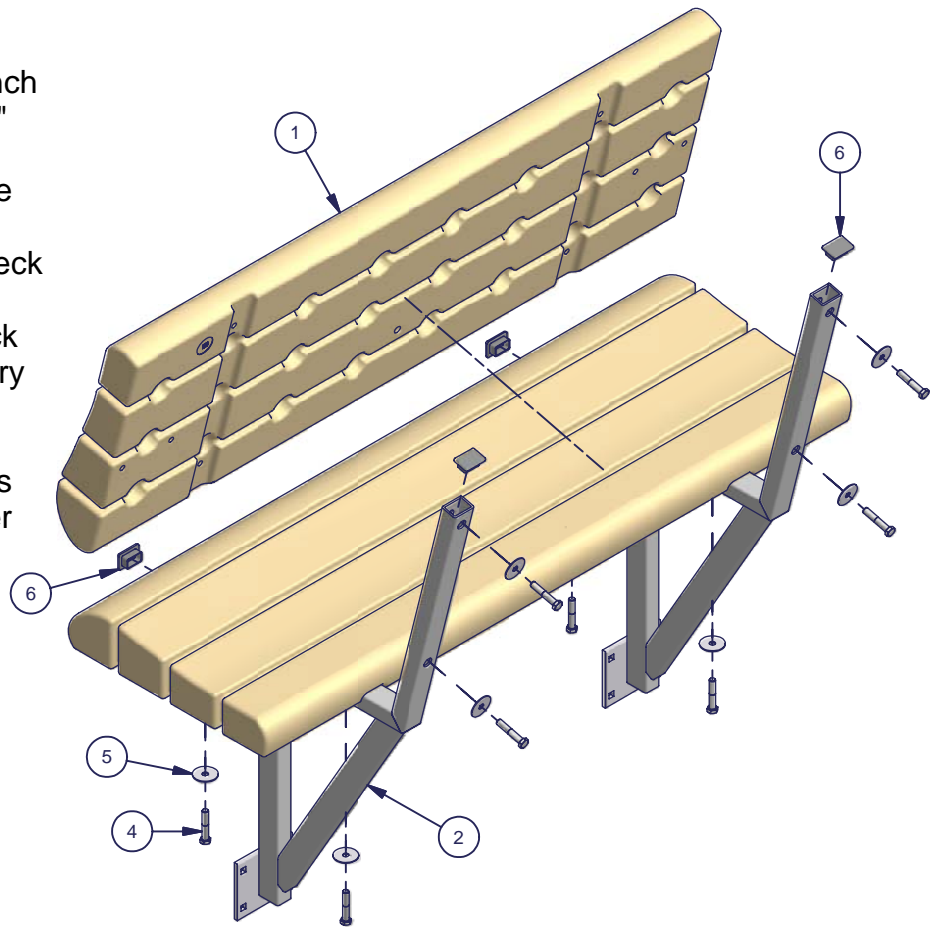
Accessory Bench Lakeview QC  
 (Off Deck) Tan



Step 1. Attach off-deck bench frames to bench poly planks using 3/8" washers and 3/8" x 2" hex bolts. Do not over tighten bolts. **Note:** Make sure to attach bench poly planks in the proper orientation as shown in detail-A.  
 Step 2. Insert plastic push-in caps into off-deck bench frames as shown.  
 Step 3. Attach off-deck bench frames to dock accessory connectors according to accessory connector instructions.

Below is a list of the four different dock types and the required accessory brackets in order to attach the off-deck dock bench.

Dock Type	Bracket Part Number
RS4 Dock	DARS4QCAB (2)
RS7 Dock	DARS7QCAB (2)
RS9 Dock	DARS9QCAB (2)
Poly Dock	DAPDBNCHC (1)



Parts List			
ITEM	QTY	PART NUMBER	DESCRIPTION
1	2	1013081	Bench Poly Plank
2	2	1013087	Off-Deck Lakeview Bench Frame
3	1	1013090	Bolt Bag Lakeview Bench QC
4	8	1002424	3/8" x 2" Hex Bolt
5	8	1002601	Washer Fender 3/8 x 1.5 SS
6	4	1000986	Plastic Push-In Cap