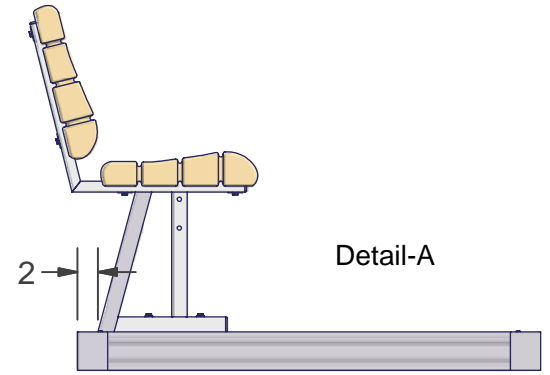
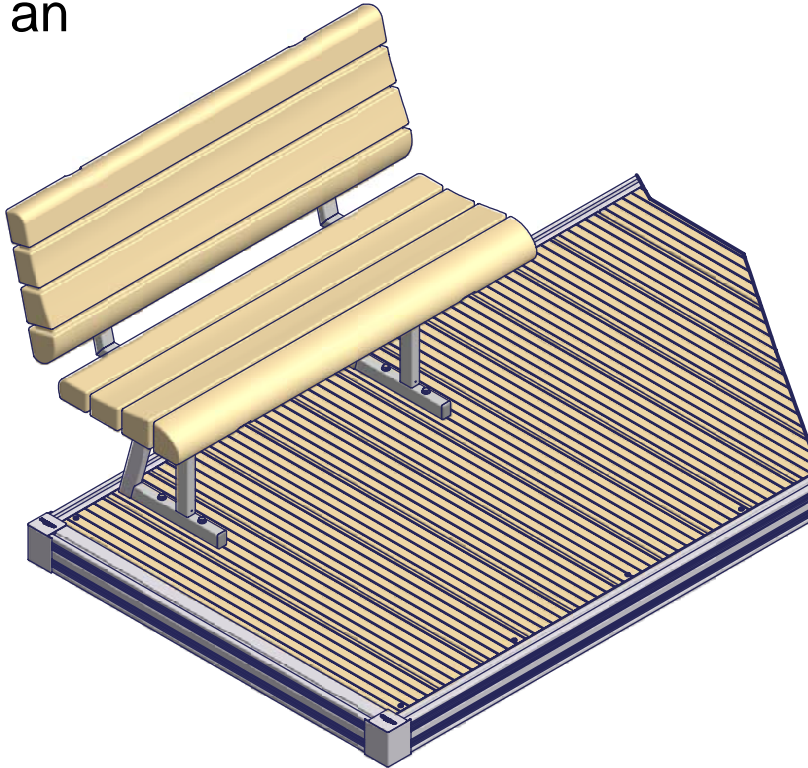




Part # 1013079

Accessory Bench Lakeview On-Deck Tan



Step 1. Attach bench planks to on-deck bench frames using 3/8" fender washers and 3/8" x 2" hex bolts. Do not over tighten bolts. **Note:** Make sure to attach bench planks in the proper orientation as shown in detail-A.

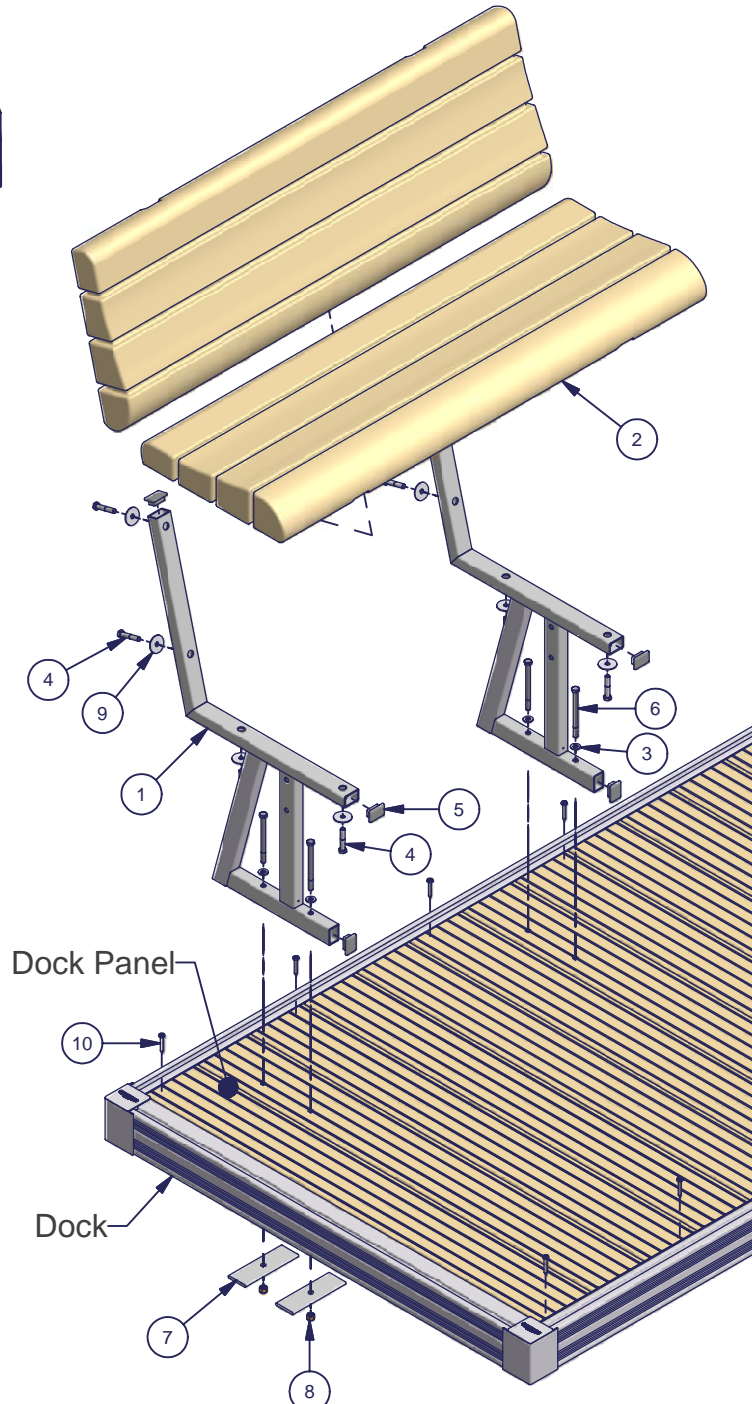
Step 2. Insert plastic push-in caps into on-deck bench frames as shown.

Step 3. Set bench on dock in desired position (2" from edge of dock, as shown in detail-A) and mark the four mounting hole locations on the dock panel. Inspect underside of dock panel to make sure you do not hit the dock frame or other obstructions. Drill holes through dock panel using a 7/16" drill bit.

Step 4. Secure dock bench to dock panel using 3/8" x 4-1/2" hex bolts, 3/8" washers, backer plates and 3/8" nylock nuts.

Step 5. Secure dock panel to dock using 1/4" x 1-3/4" phillips pan wood screws.

Note: Failure to secure dock panel to dock could result in causing bodily injury or possible death.



Parts List			
ITEM	QTY	PART NUMBER	DESCRIPTION
1	2	1013080	On-Deck Lakeview Bench Frame
2	2	1013081	Bench Plank
--	1	1013084	Bolt Bag Lakeview Bench On-Deck
3	4	1002599	3/8" Washer
4	8	1002424	3/8" x 2" Hex Bolt
5	6	1000986	Plastic Push-In Cap
6	4	1002442	3/8" X 4-1/2" Hex Bolt
7	4	1004624	Backer Plate
8	4	1001805	3/8" Nylock Nut
9	8	1002601	Washer Fender 3/8 x 1.5 SS
10	8	1002576	1/4" x 1-3/4" Phillips Pan Wood Screw