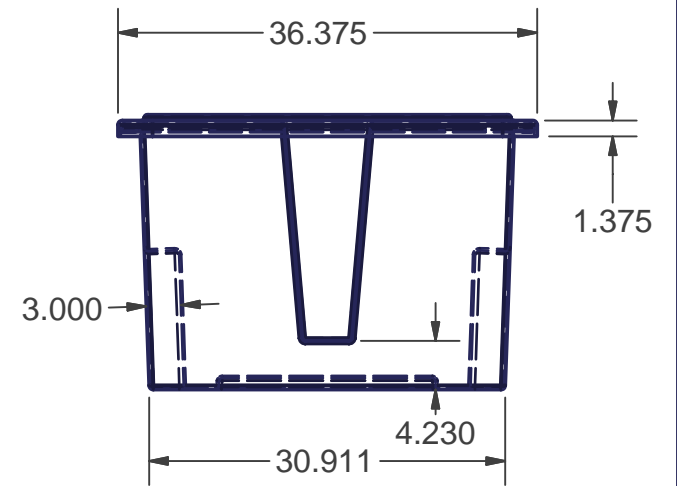
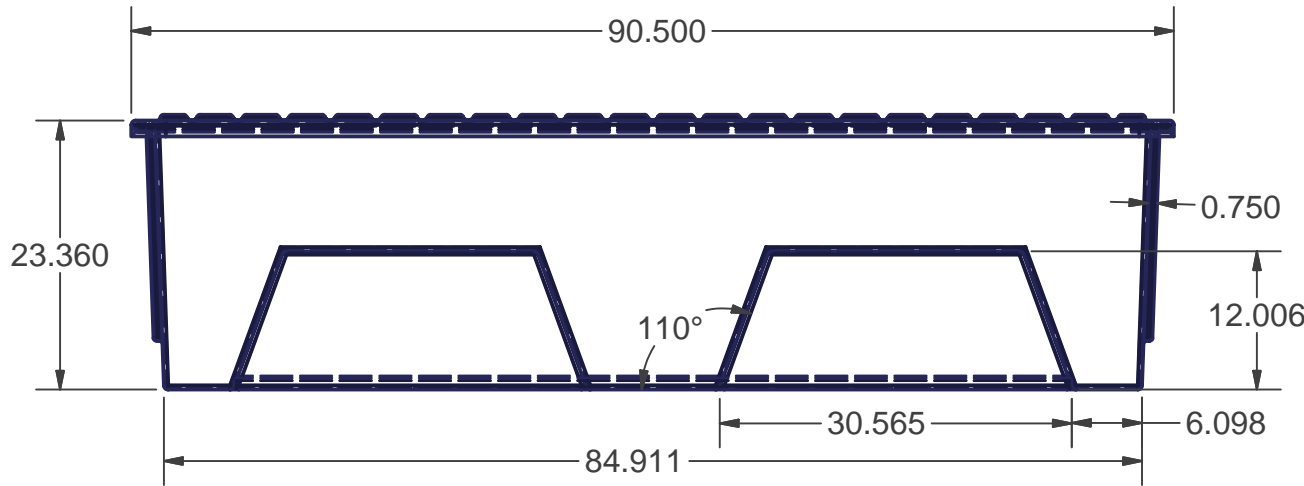
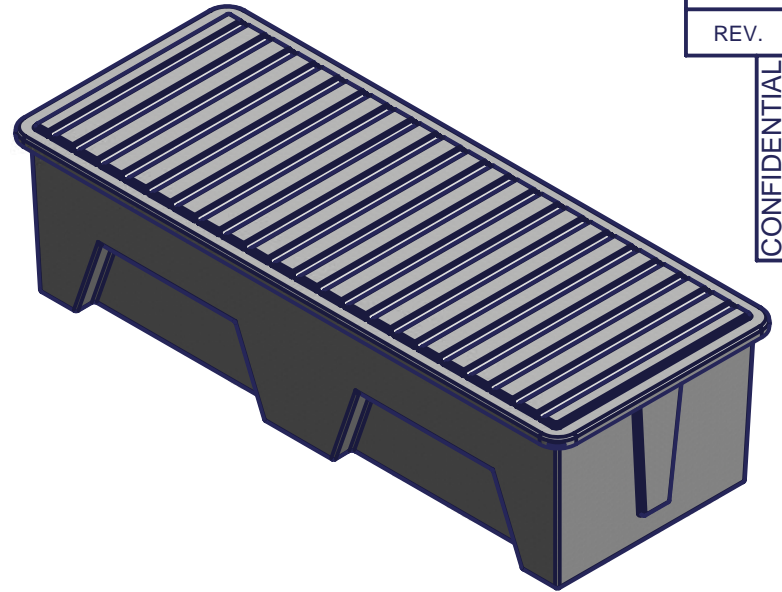
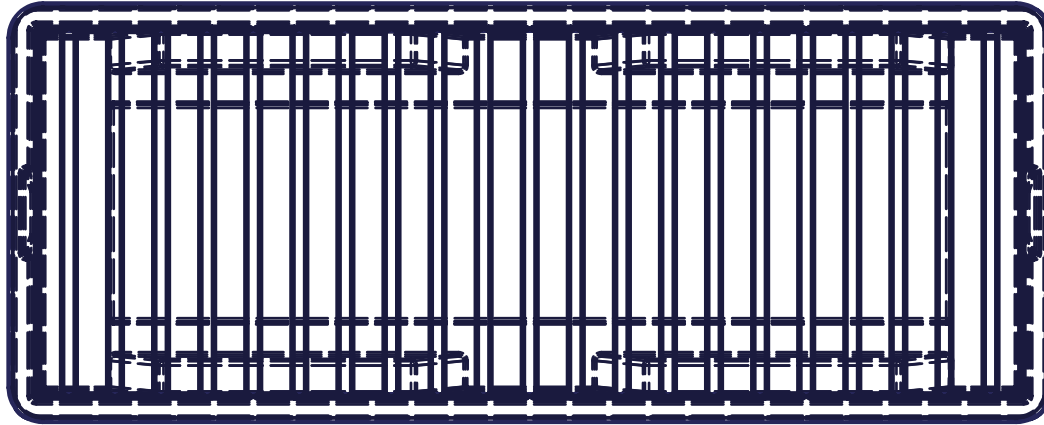


REV. -
CONFIDENTIAL

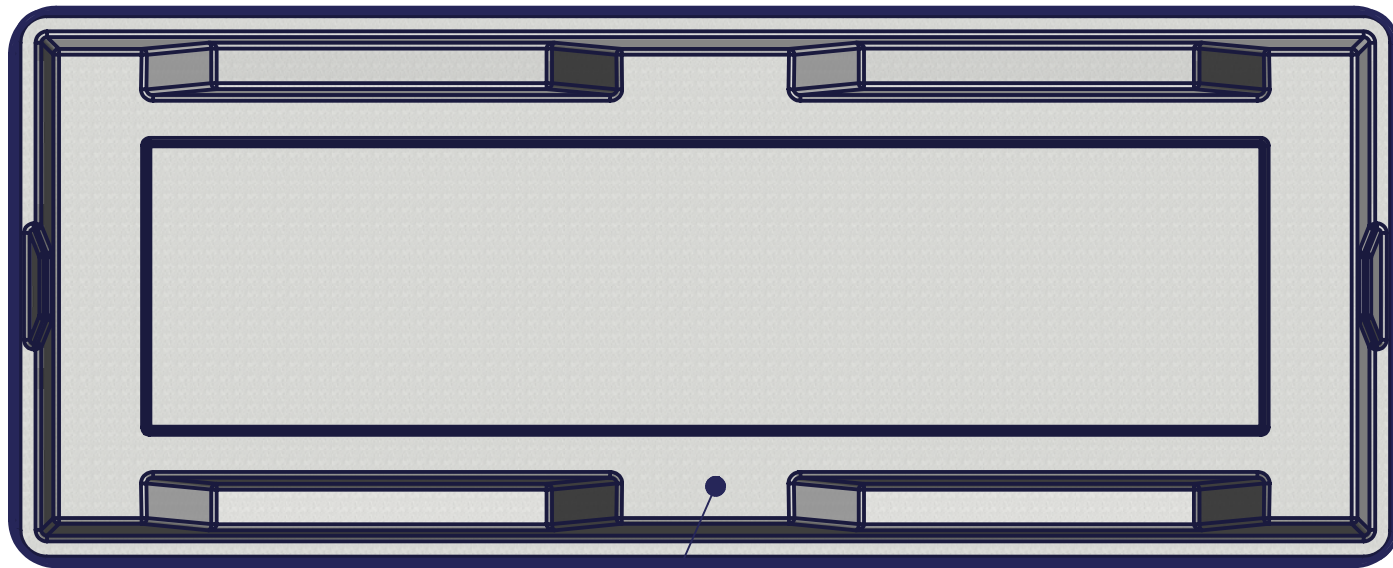


Sheet: 1

ALUMINUM BOAT LIFTS, DOCKS AND ACCESSORIES
SHOREMASTER
 BY SHOREMASTER ENGINEERING
 1 SHOREMASTER DRIVE, IND. PARK
 P.O. BOX 358
 FERGUS FALLS, MN 56538-0358
 1-800-328-8945

REV	DESCRIPTION	APPR'D	DATE	ECO #
--	PRODUCTION RELEASE			

PART NAME: 7' Dock Box w/ Stand	
DRAWN BY: mdsalvevold	DATE 1/24/2003
PART NUMBER: DADBXC7WS	REFERENCE: --
DWG : 7' Dock Box.idw	



Perimeter used to secure box to decking.

ALUMINUM BOAT LIFTS, DOCKS AND ACCESSORIES
SHOREMASTER
 BY SHOREMASTER ENGINEERING
 1 SHOREMASTER DRIVE, IND. PARK
 P.O. BOX 358
 FERGUS FALLS, MN 56538-0358
 1-800-328-8945

REV	DESCRIPTION	APPR'D	DATE	ECO #
--	PRODUCTION RELEASE			

PART NAME: 7' Dock Box w/ Stand	
DRAWN BY: mdsalvevold	DATE 1/24/2003
PART NUMBER: DADBXC7WS	REFERENCE:
DWG : 7' Dock Box.idw	