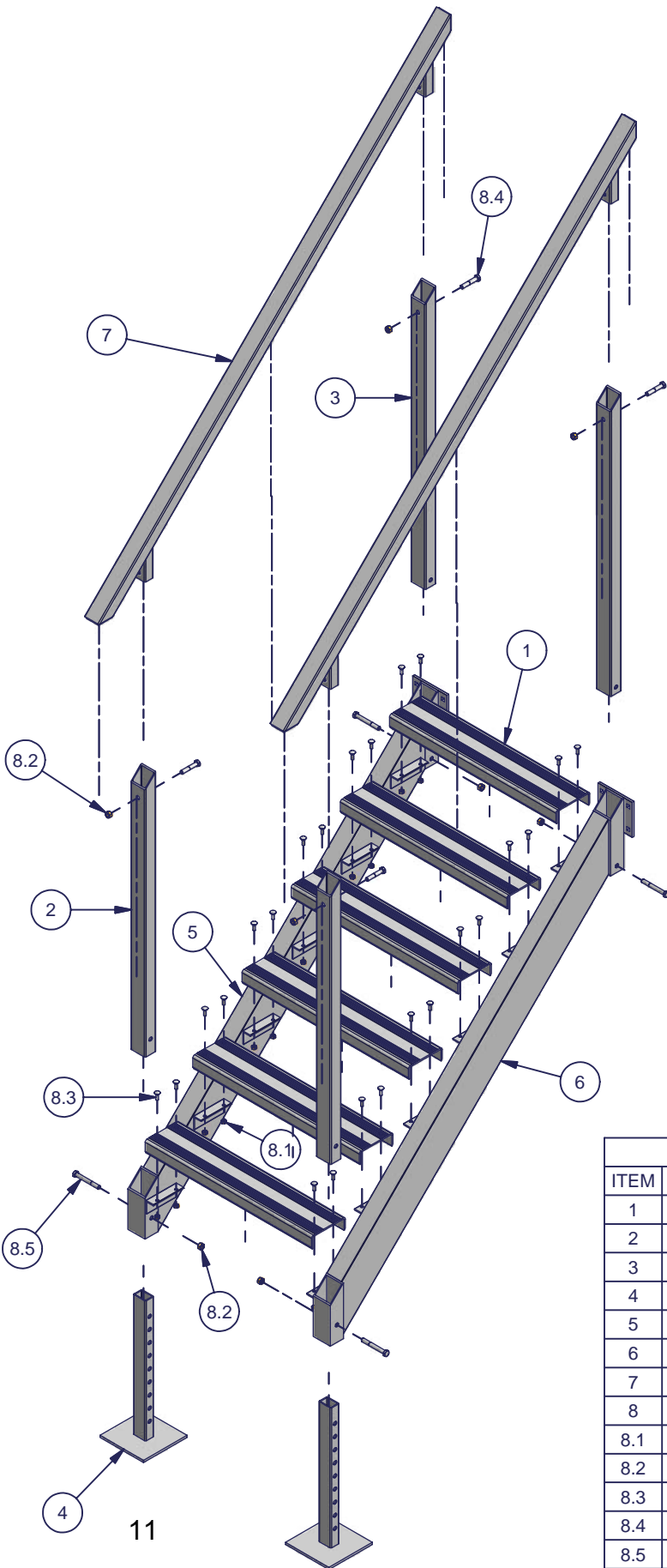


QC 6-Step Dock Steps Assembly Instructions

Note: There are three different types of accessory brackets that the steps can be attached to in order to be attached to your dock. You will need two accessory brackets for the installation. Below is a list of the three different types of brackets.

<u>Dock Type</u>	<u>Bracket Part Number</u>
RS4 Dock	DARS4QCAB
RS7 Dock	DARS7QCAB
RS9 Dock	DARS9QCAB

Note: In order to attach dock steps to a dock not listed above use two 3/8" x 3-1/2" carriage bolts and two 3/8" flange nuts (provided).



QC 6-Step Dock Steps Parts List P/N: 430015862

ITEM	QTY	PART NUMBER	DESCRIPTION
1	6	51502200H	CHANNEL - DOCK STEP
2	2	76903200D	LAKESIDE UPRIGHT
3	2	76903400D	DOCK SIDE UPRIGHT
4	2	APDKSTPLG	DOCK STEPS LEG
5	1	230015864	2005 DOCK STEPS 6 STEP STRINGER LEFT
6	1	230015863	2005 DOCK STEPS 6 STEP STRINGER RIGHT
7	2	APDKST6HR	DOCK STEPS 6 HAND RAIL
8	1	500016329	2005 Dock Steps 6 Step Bolt Bag
8.1	24	B140RGNUT	1/4 -20 NUT BRASS
8.2	8	B380RGNUT	NUT 3/8 - 16 BRASS
8.3	24	CS140034B	Carriage Bolt S.S. 1/4 x 3/4
8.4	4	MS380200B	BOLT 3/8 - 16 X 2 SS
8.5	4	MS380300B	BOLT 3/8 - 16 X 3 SS