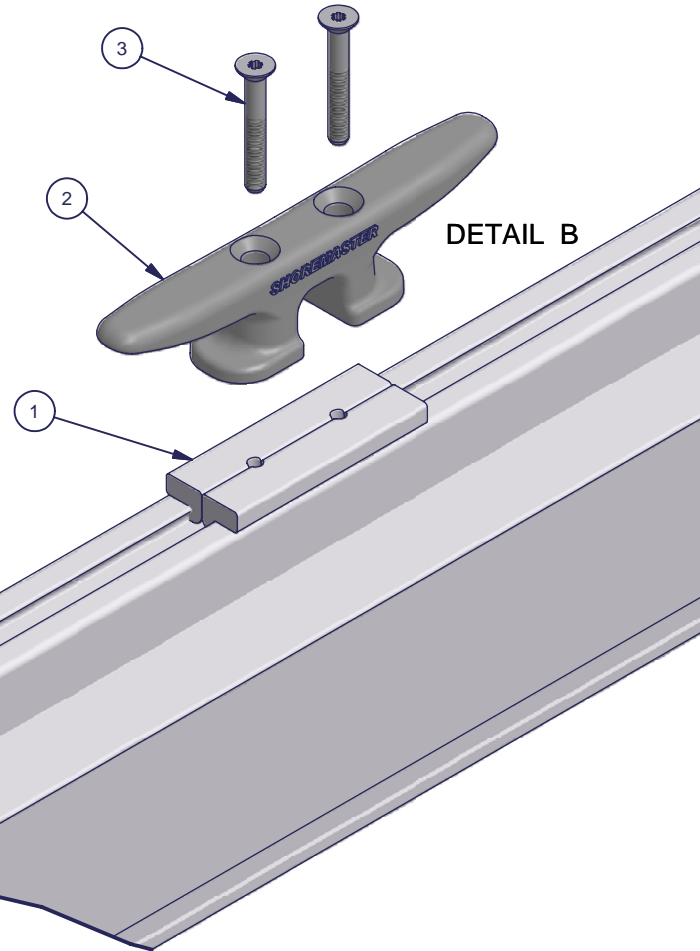
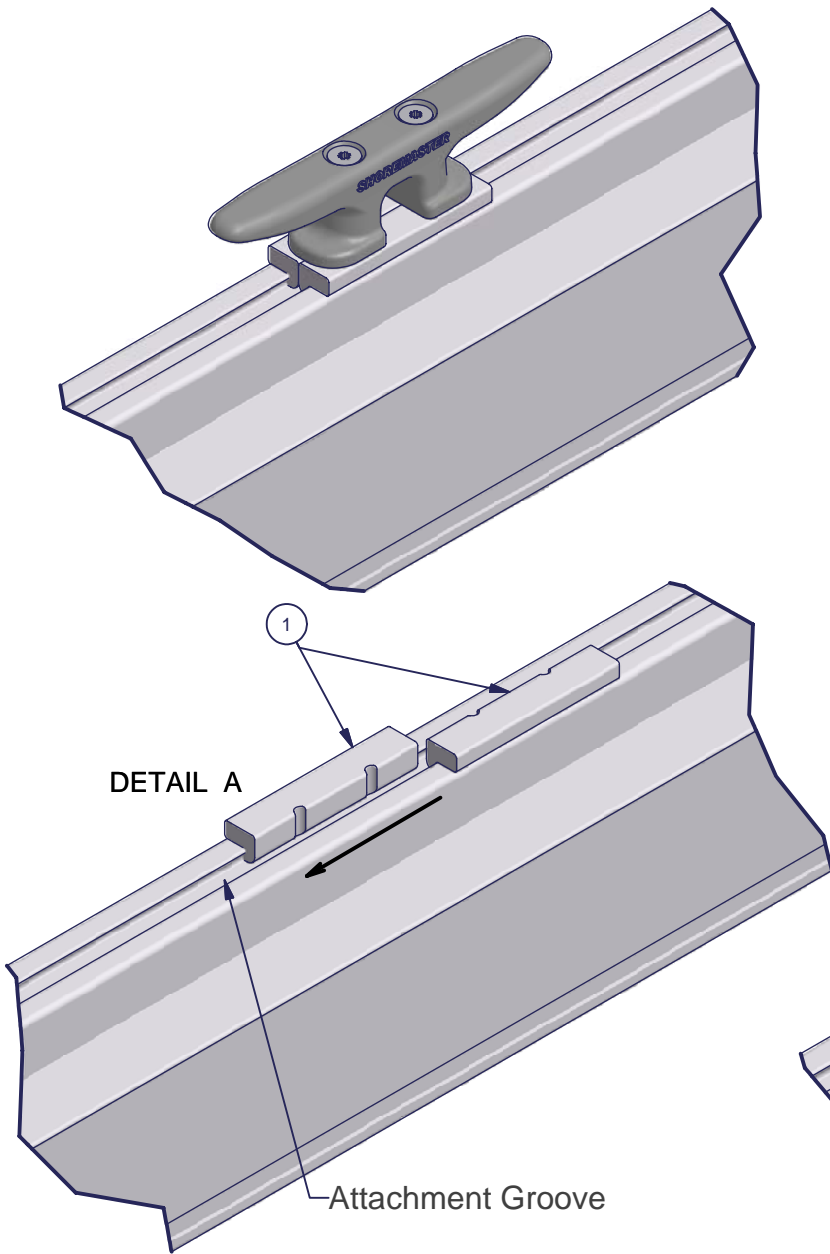


# QC Cleat Kit

## Part # - DAQC08CLT

Parts List			
ITEM	QTY	PART NUMBER	DESCRIPTION
1	2	000016746	Cleat Attachment Bracket 4.0
2	1	630015743	Plastic Cleat 8.0
3	2	500016748	Screw 5/16 x 2.25



## Assembly:

Insert two Cleat Attachment Brackets 4.0 into the Attachment Groove on the top of the dock rail and slide together - as shown in Detail "A."

Set the Plastic Cleat 8.0 on the two Cleat Attachment Brackets 4.0 and secure with two Screw 5/16 x 2.25 using a Torx bit driver - as shown in Detail "B."