

QC Ramp Connection Kit to Side of Dock Instructions

Step 1: Thread T-handle bolts into QC accessory bracket.

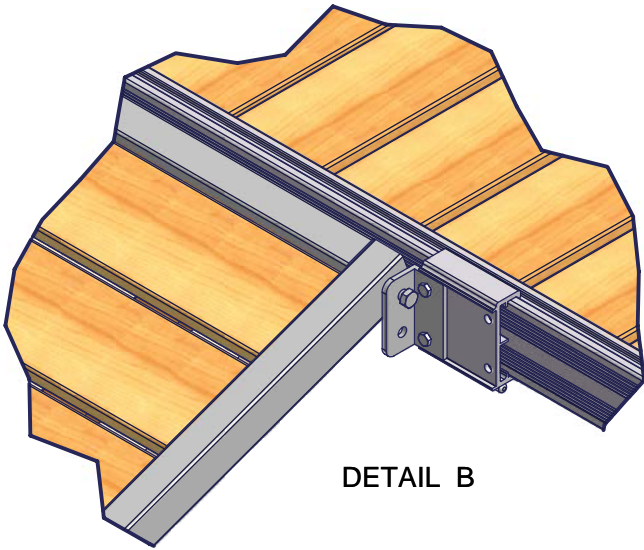
Step 2: Bolt QC ramp connection angles (item 1.1) to QC accessory brackets (item 2) using 3/8" x 1" hex bolts (item 1.2) and 3/8" flange nuts (item 1.6). **Note:** Make sure to bolt together so you will have a left and right bracket.

Step 3: Insert 1/2" bolt (item 1.3) through top hole in angle (item 1.1) on accessory bracket (item 2). Thread 1/2" square nut (item 1.4) onto 1/2" bolt (item 1.3). **Note:** QC accessory bracket flat surface is the top and the bottom has the T-handle bolt.

Step 4: Insert 1/2" square nuts (item 1.4) and reinforcement plates (item 1.5) into tubes of ramp frame (item 4). **Note:** Reinforcement plates are not used on 4' x 4' ramps.

Step 5: Insert 1/2" bolt (item 1.3) into hole in ramp frame (item 4) and through reinforcement plate (item 1.5) and thread into 1/2" square nut (item 1.4) and tighten together 1/2" square nuts (items 1.4).

Step 6: Set QC accessory bracket flange (item 2) into channel in top of dock (item 4) in desired position and pivot QC accessory bracket down and tighten T-handle bolts. As shown in detail-B.



DETAIL B

Parts List			
ITEM	QTY	PART NUMBER	DESCRIPTION
1	1	DABBRMPSD	QC Ramp Connection to side of dock kit
1.1	2	031016128	QC Ramp Connection Angle to Side of Dock
1.2	4	MS380100B	BOLT 3/8 - 16 X 1 SS
1.3	2	MS120200B	BOLT 1/2 - 13 X 2 SS (Included in Ramp Bolt Bag)
1.4	4	B120SQNUT	NUT SQUARE 1/2 - 13 BRASS (Included in Ramp Bolt Bag)
1.5	2	035016121	QC Ramp 4' x 8' Reinforcement Plate (Included in Ramp Bolt Bag)
1.6	4	B380FLNUT	3/8" FLANGE NUT BRASS (Included in Ramp Bolt Bag)
2	2	DARS4QCAB	RS-4 Quick-Connect Accessory Bracket (Sold Separately)
3	2	--	RS-4 Dock (Sold Separately)
4	1	DAQC8CDRM	QC Ramp 4' x 8' with Cedar Wood Deck (Sold Separately)

