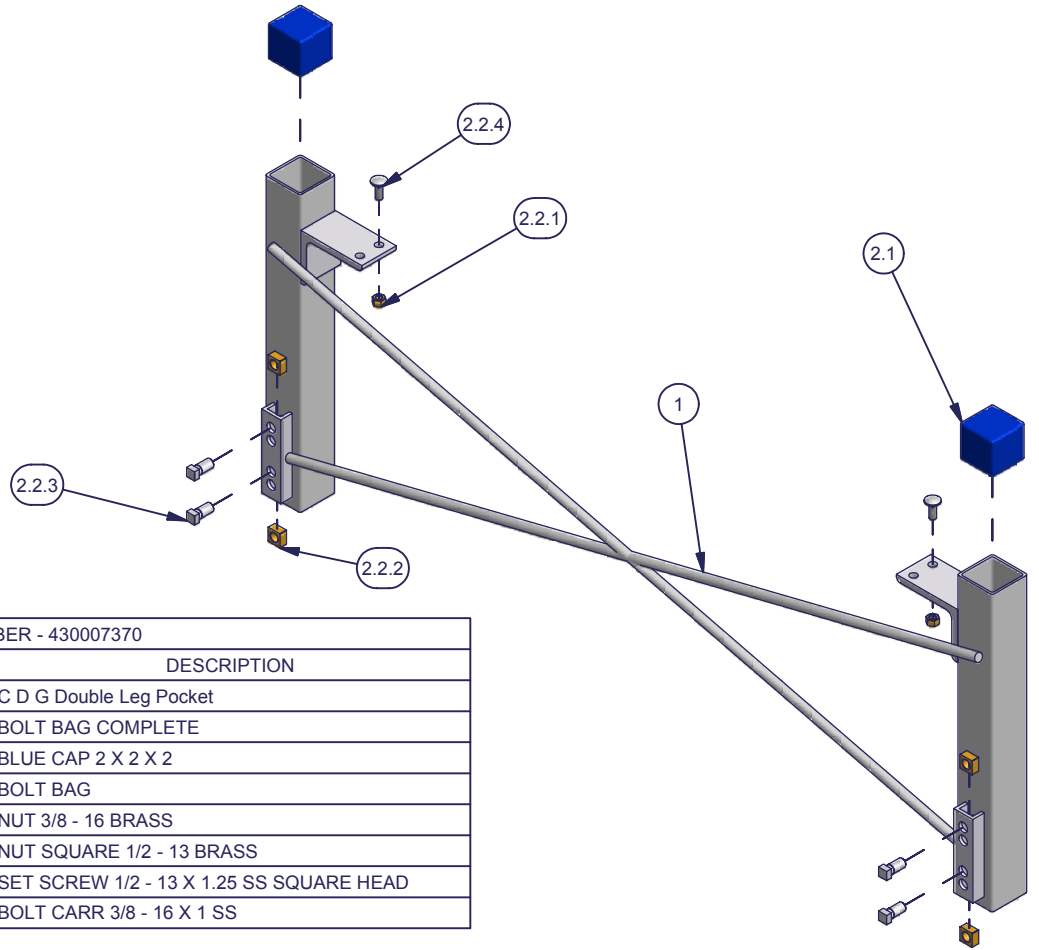
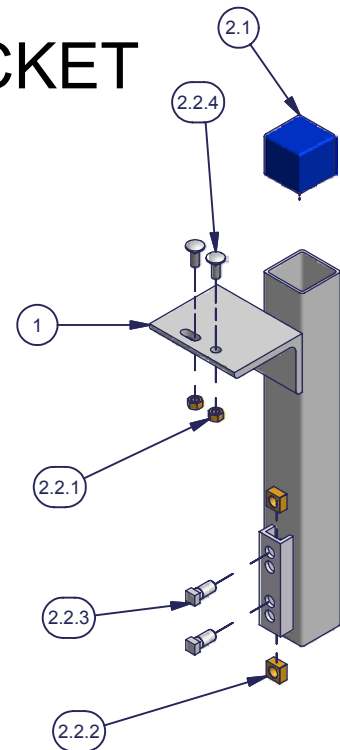


CURVE DOCK DOUBLE LEG POCKET



PART NUMBER - 430007370			
ITEM	QTY	PART NUMBER	DESCRIPTION
1	1	230008010	C D G Double Leg Pocket
2	1	DABBDLPKT	BOLT BAG COMPLETE
2.1	2	BLUECAP14	BLUE CAP 2 X 2 X 2
2.2	1	PRBBDLPKT	BOLT BAG
2.2.1	2	B380RGNUT	NUT 3/8 - 16 BRASS
2.2.2	4	B120SQNUT	NUT SQUARE 1/2 - 13 BRASS
2.2.3	4	S120SETSW	SET SCREW 1/2 - 13 X 1.25 SS SQUARE HEAD
2.2.4	2	CS380100B	BOLT CARR 3/8 - 16 X 1 SS

CURVE DOCK SINGLE LEG POCKET



PART NUMBER - 430007950			
ITEM	QTY	PART NUMBER	DESCRIPTION
1	1	230007670	C-D Single Leg Pocket
2	1	DABBSPKKT	BOLT BAG C-D SINGLE LEG POCKET
2.1	1	BLUECAP14	BLUE CAP 2 X 2 X 2
2.2	1	PRBBSLPKKT	BOLT BAG C-D SINGLE LEG POCKET
2.2.1	2	B380RGNUT	NUT 3/8 - 16 BRASS
2.2.2	2	B120SQNUT	NUT SQUARE 1/2 - 13 BRASS
2.2.3	2	S120SETSW	SET SCREW 1/2 - 13 X 1.25 SS SQUARE HEAD
2.2.4	2	CS380100B	BOLT CARR 3/8 - 16 X 1 SS

