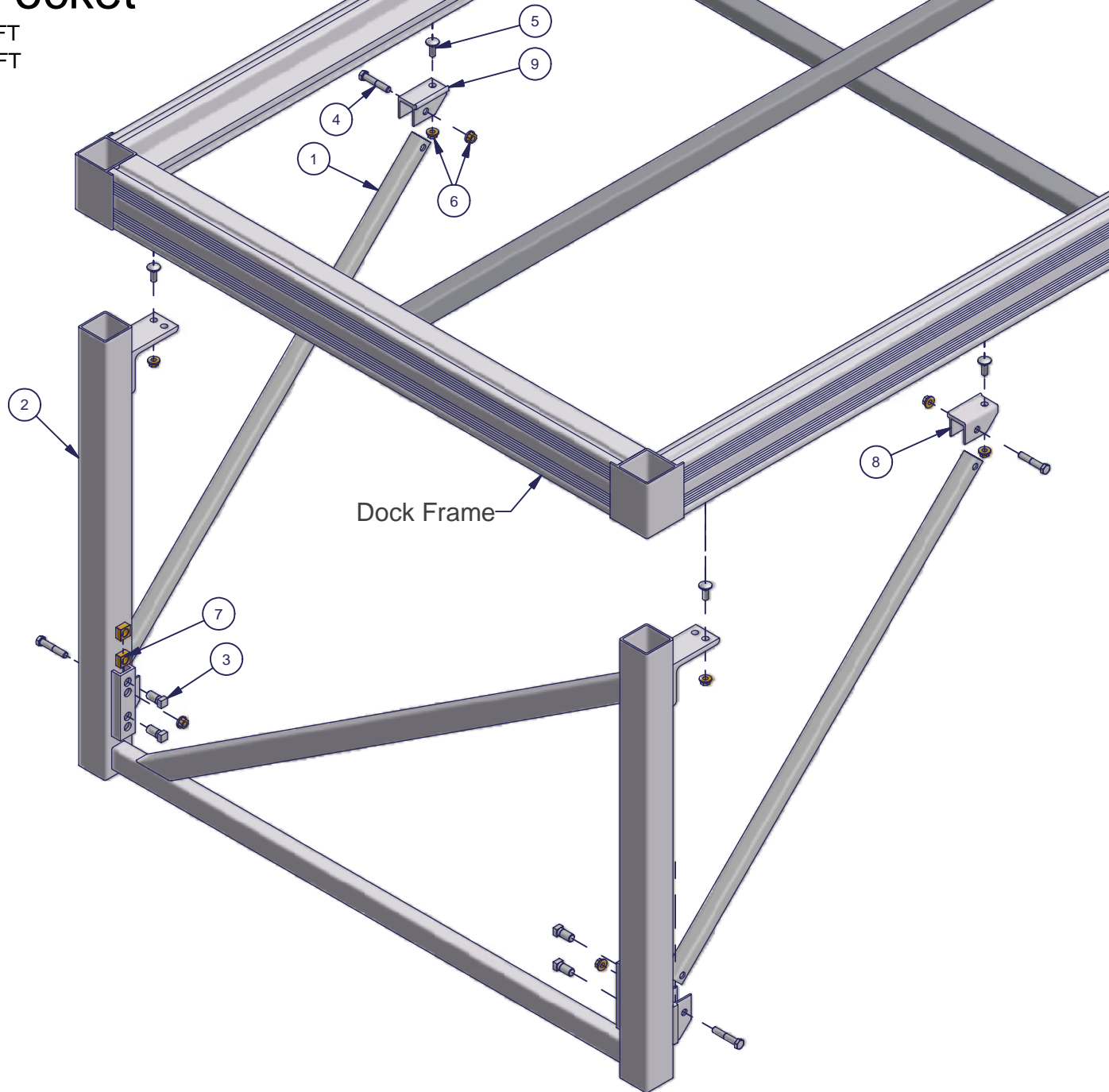


Heavy-Duty Double Leg Pocket

1006667 - 4FT
1006652 - 6FT



Parts List			
ITEM	QTY	PART NUMBER	DESCRIPTION
1	2	1003143	Strut Tube 36.0
2	1	1003782	Heavy Duty Brace Frame
2	1	1003810	(6FT) Heavy Duty Brace Frame
-	1	1004403	Bolt Bag - Heavy-Duty Double Leg Pocket
3	4	1002563	Set Screw 1/2 x 1.25
4	4	1002424	Bolt 3/8 x 2.0
5	4	1001956	Bolt Carriage 3/8 x 1.0
6	8	1001802	Nut Flange 3/8
7	4	1001793	Nut Square 1/2
8	1	1000006	Strut Bracket Right
9	1	1000008	Strut bracket Left

Assembly:

Insert the Heavy-Duty Brace Frame into the corner pockets of the Dock Frame and secure with two Bolts Carriage 3/8 x 1.0 and two Nuts Flange 3/8 - as shown.

Attach Strut Brackets Right and Left to the under side of the Dock Frame with the flange facing in. Secure with one Bolt Carriage 3/8 x 1.0 and one Nut Flange 3/8 - as shown.

Attach each Strut Tube 36.0 to the Strut Bracket on the Dock Frame and to the Heavy-Duty Brace Frame. Secure with one Bolt Carriage 3/8 x 1.0 and one Nut Flange 3/8 at each end - as shown.

Insert dock legs (sold separately) into the Heavy-Duty Brace Frame and secure with two Set Screws 1/2 x 1.25 and two Nuts Square 1/2.