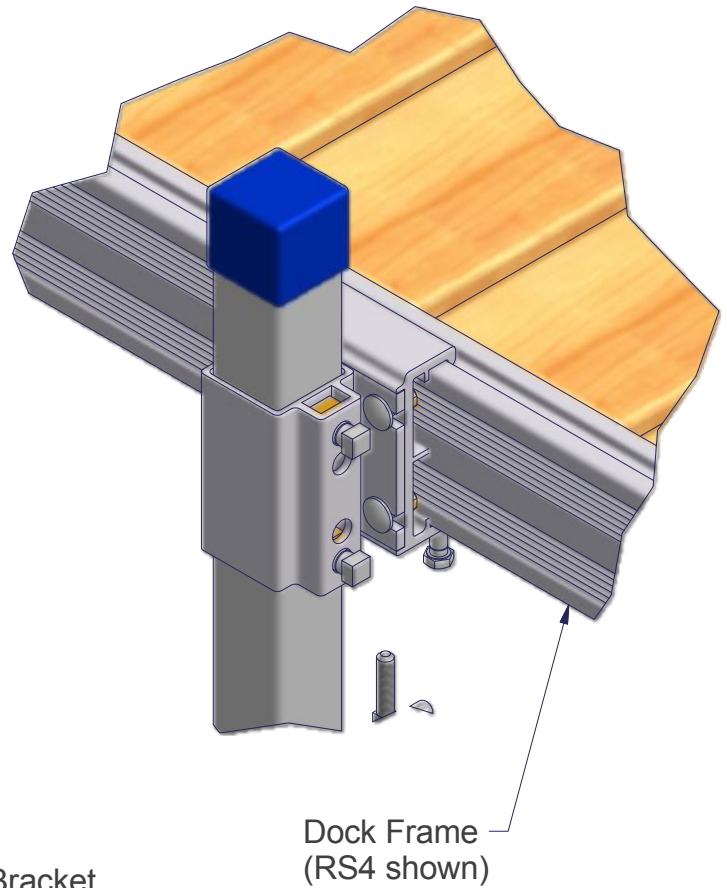
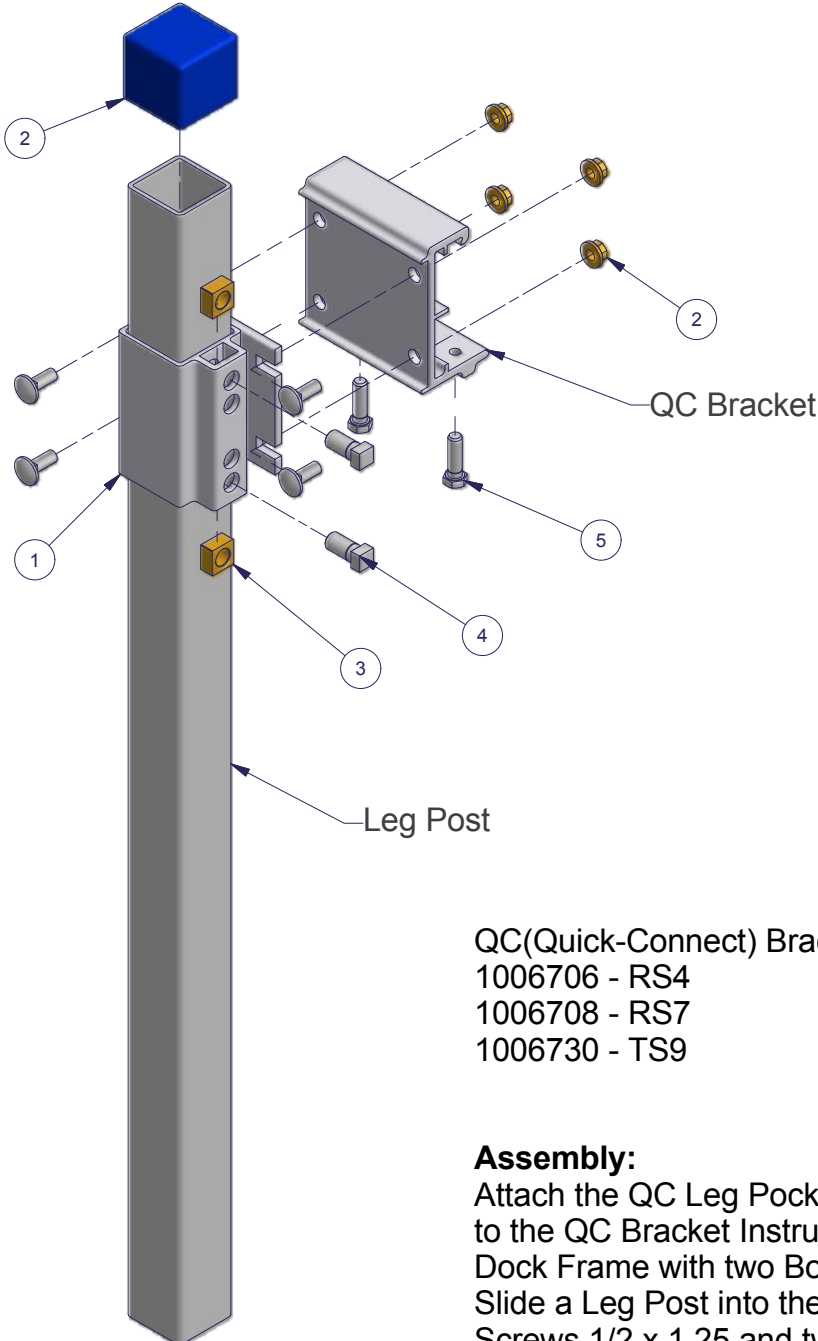


QC Leg Pocket Add-On Bracket Part #: 1006672

Parts List			
ITEM	QTY	PART NUMBER	DESCRIPTION
1	1	1003821	QC Leg Pocket
-	1	1004460	Bolt Bag QC Leg Pocket
2	1	1001815	BLUE CAP 2 x 2
3	2	1001793	Nut Square 1/2
4	2	1002563	Set Screw 1/2 X 1.25
5	2	1002422	Bolt 3/8 x 1.25



QC(Quick-Connect) Brackets (Sold Separately):
 1006706 - RS4
 1006708 - RS7
 1006730 - TS9

Assembly:

Attach the QC Leg Pocket to any style of QC Bracket according to the QC Bracket Instructions. Secure the QC Bracket to the Dock Frame with two Bolts 3/8 x 1.25 - as shown. Slide a Leg Post into the QC Leg Pocket and secure with two Set Screws 1/2 x 1.25 and two Nuts Square 1/2 - as shown. Slide the Blue Cap 2 x 2 over the exposed Leg Post. A foot pad is required for the bottom of the Leg Post.