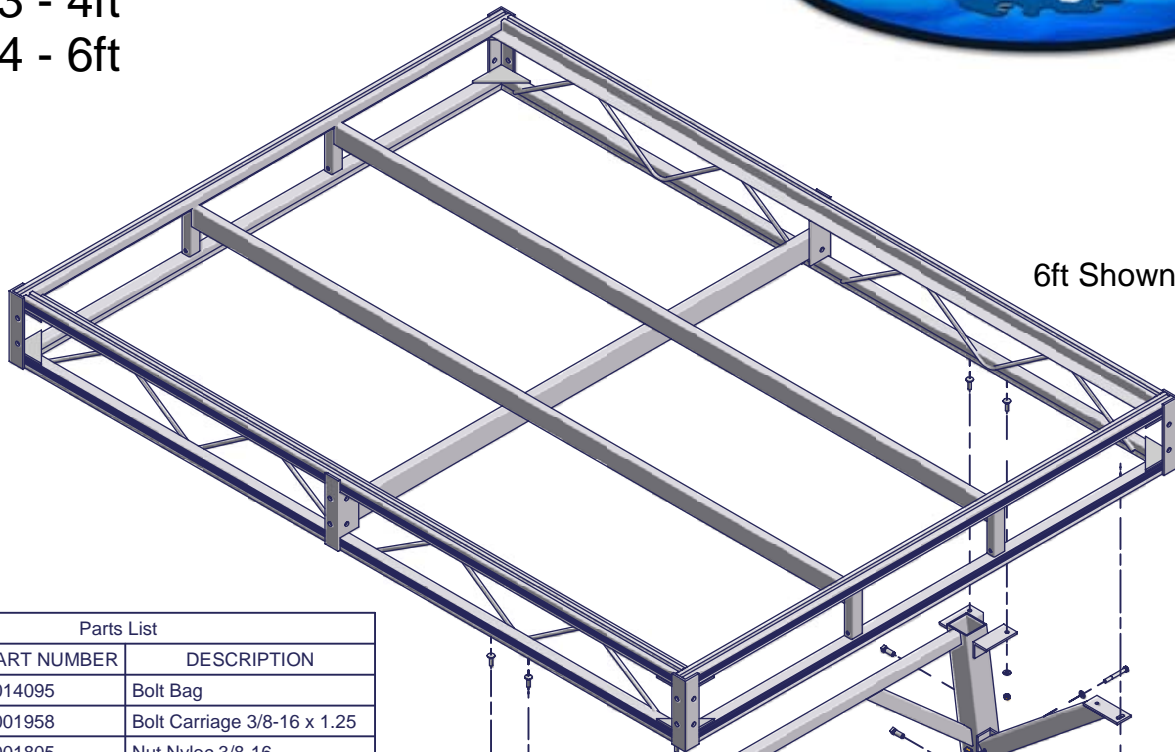


Heavy Duty Angled
Double Leg Pockets

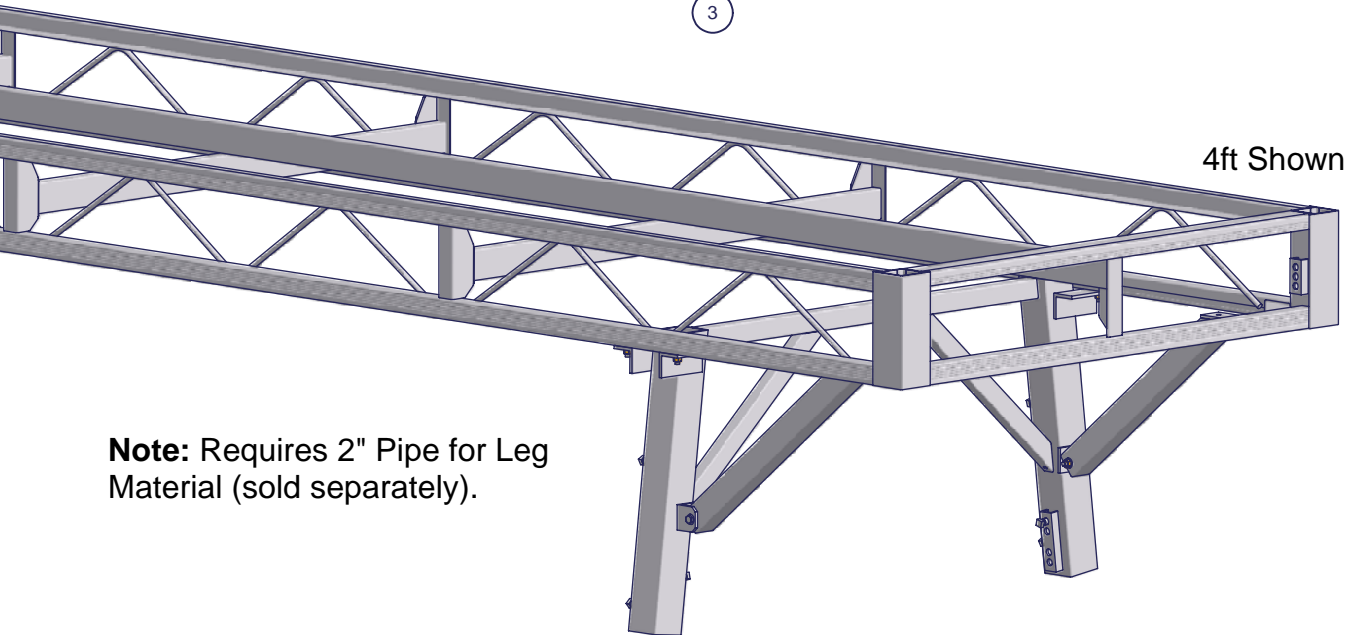
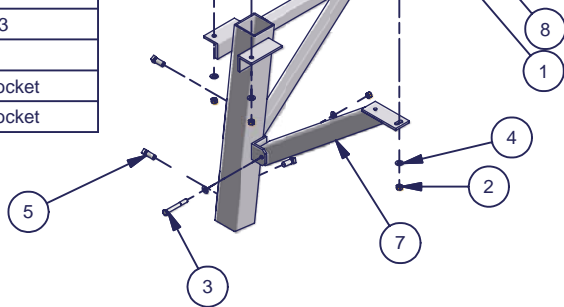
1014093 - 4ft

1014094 - 6ft



6ft Shown

Parts List			
ITEM	QTY	PART NUMBER	DESCRIPTION
-	1	1014095	Bolt Bag
1	6	1001958	Bolt Carriage 3/8-16 x 1.25
2	8	1001805	Nut Nyloc 3/8-16
3	2	1002432	Bolt Hex 3/8-16 x 3.0
4	10	1002599	Washer Flat 3/8
5	6	1002558	Set Screw 1/2-13
6	6	1001793	Nut Square 1/2-13
7	2	1003679	Brace
8	1	1014066	6ft Double Leg Pocket
8	1	1014065	4ft Double Leg Pocket



4ft Shown

Note: Requires 2" Pipe for Leg Material (sold separately).